

19" SUPER FRAME

MODULAR  
**ELSTEEL**  
ENCLOSURES



[www.elsteel.com](http://www.elsteel.com)

The best technical solution at the best possible price

# Industrial Jewellery by **ELSTEEL**



You're holding a top of the line quality product in your hands. Made with love and excellence! I hope you will enjoy assembling and using Elsteel products as much as I enjoy manufacturing it for you.

A handwritten signature in black ink, appearing to be 'F. Logstrup'.

**Fang Logstrup**  
Managing Director



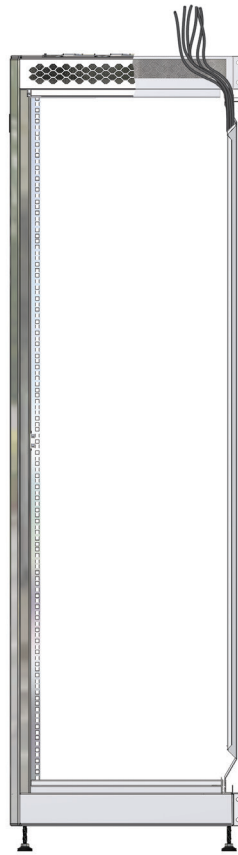
**ELSTEEL**

# IN-BUILT DESIGN FEATURES

Large natural ventilation area. Ventilates when the door is open or closed.



100mm for cable management

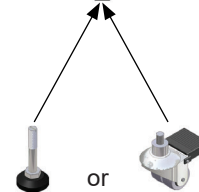


Fans

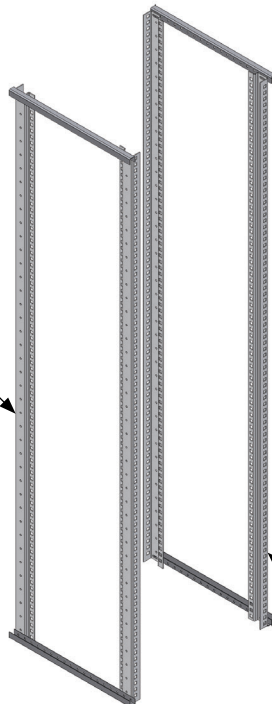
Space available for forced ventilation using standard fans



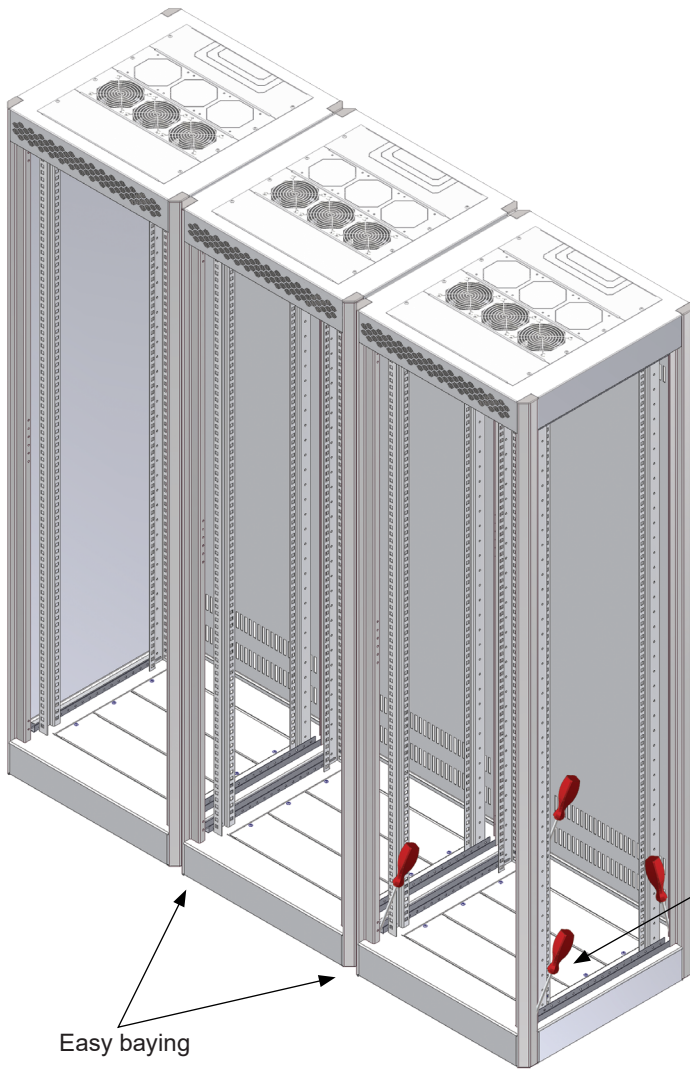
Polished SS frame  
Perfect for EMC Solution



Earthing through Alu-zink

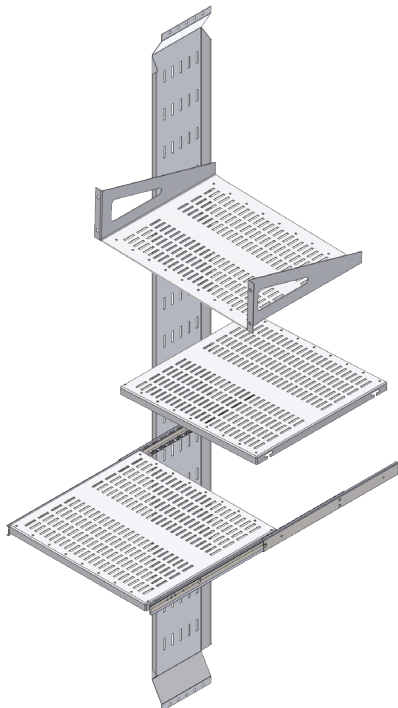


Our 19" rails can support your valuable equipment up to 1100kg (per tier)



Easy baying

All feet are adjustable from inside the cabinet  
Important when the cabinets are placed against the wall



Strong shelves  
and  
cable ladders

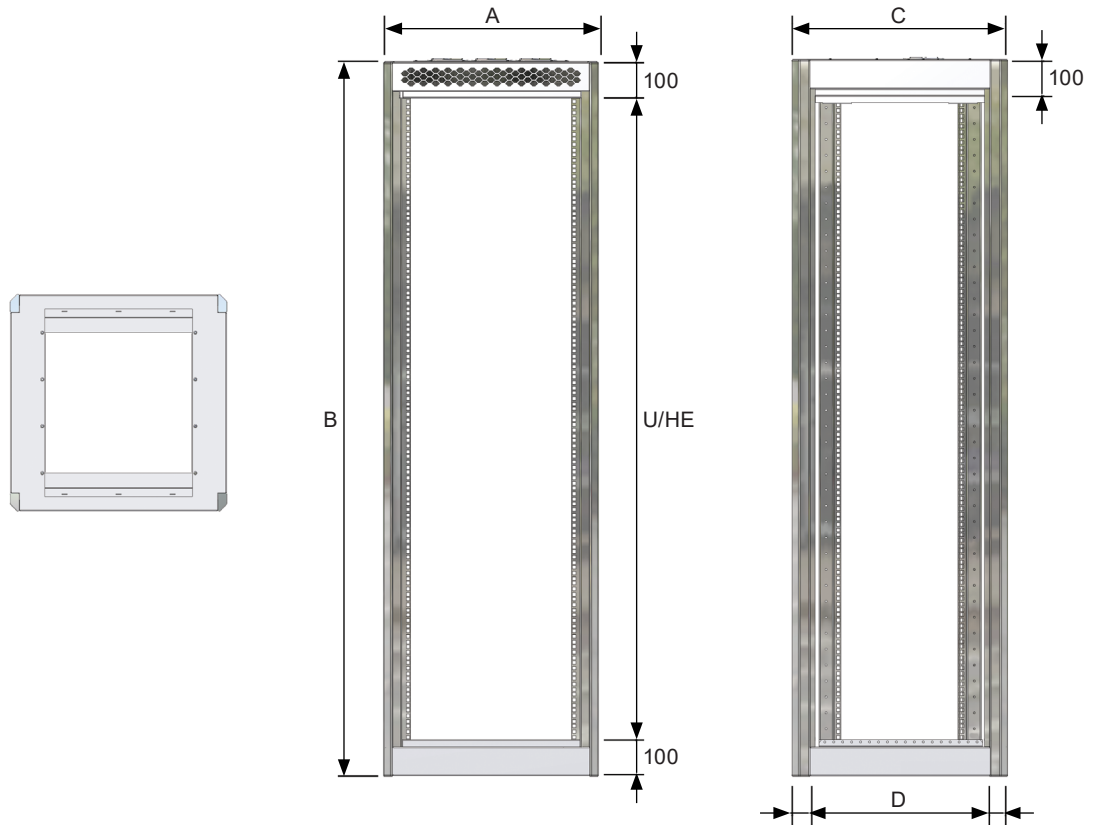




**FRAME WITH MOUNTING RAILS ■**

**RAMME MED MONTAGE SKINNER ■**

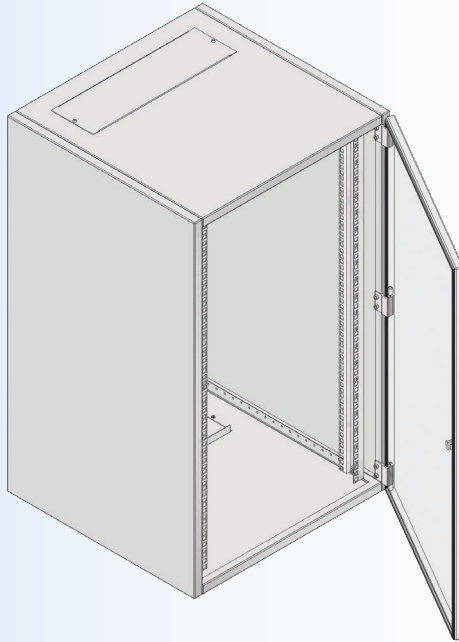
TYPE	DESCRIPTION	U/HE	SIZE (W×H×D)	WEIGHT (kg)	ORDER NO Stainless Steel	ORDER NO Mild Steel
SF 6.10.6	FRAME WITH MOUNTING RAILS	17U	600x1000x600	29.07	42700	43900
SF 6.10.8	FRAME WITH MOUNTING RAILS	17U	600x1000x800	31.83	42710	43910
SF 6.12.6	FRAME WITH MOUNTING RAILS	22U	600x1200x600	31.35	42720	43920
SF 6.12.8	FRAME WITH MOUNTING RAILS	22U	600x1200x800	34.12	42730	43930
SF 6.14.6	FRAME WITH MOUNTING RAILS	26U	600x1400x600	33.64	42740	43940
SF 6.14.8	FRAME WITH MOUNTING RAILS	26U	600x1400x800	36.41	42750	43950
SF 6.16.6	FRAME WITH MOUNTING RAILS	31U	600x1600x600	35.93	42760	43960
SF 6.16.8	FRAME WITH MOUNTING RAILS	31U	600x1600x800	38.69	42770	43970
SF 6.18.6	FRAME WITH MOUNTING RAILS	35U	600x1800x600	38.21	42780	43980
SF 6.18.8	FRAME WITH MOUNTING RAILS	35U	600x1800x800	40.97	42790	43990
SF 6.20.6	FRAME WITH MOUNTING RAILS	40U	600x2000x600	40.49	42800	44000
SF 6.20.8	FRAME WITH MOUNTING RAILS	40U	600x2000x800	43.26	42810	44010
SF 6.22.6	FRAME WITH MOUNTING RAILS	44U	600x2200x600	42.78	42820	44020
SF 6.22.8	FRAME WITH MOUNTING RAILS	44U	600x2200x800	45.54	42830	44030
SF 8.10.6	FRAME WITH MOUNTING RAILS	17U	800x1000x600	31.04	42850	44050
SF 8.10.8	FRAME WITH MOUNTING RAILS	17U	800x1000x800	33.45	42860	44060
SF 8.12.6	FRAME WITH MOUNTING RAILS	22U	800x1200x600	33.33	42870	44070
SF 8.12.8	FRAME WITH MOUNTING RAILS	22U	800x1200x800	35.74	42880	44080
SF 8.14.6	FRAME WITH MOUNTING RAILS	26U	800x1400x600	35.62	42890	44090
SF 8.14.8	FRAME WITH MOUNTING RAILS	26U	800x1400x800	38.02	42900	44100
SF 8.16.6	FRAME WITH MOUNTING RAILS	31U	800x1600x600	37.90	42910	44110
SF 8.16.8	FRAME WITH MOUNTING RAILS	31U	800x1600x800	40.31	42920	44120
SF 8.18.6	FRAME WITH MOUNTING RAILS	35U	800x1800x600	40.18	42930	44130
SF 8.18.8	FRAME WITH MOUNTING RAILS	35U	800x1800x800	42.59	42940	44140
SF 8.20.6	FRAME WITH MOUNTING RAILS	40U	800x2000x600	42.47	42950	44150
SF 8.20.8	FRAME WITH MOUNTING RAILS	40U	800x2000x800	44.88	42960	44160
SF 8.22.6	FRAME WITH MOUNTING RAILS	44U	800x2200x600	44.75	42970	44170
SF 8.22.8	FRAME WITH MOUNTING RAILS	44U	800x2200x800	47.16	42980	44180



TYPE	U/HE	OVERALL SIZE			
		A	B	C	D
SF 6.10.6	17U	600	1000	600	450
SF 6.10.8	17U	600	1000	800	650
SF 6.12.6	22U	600	1200	600	450
SF 6.12.8	22U	600	1200	800	650
SF 6.14.6	26U	600	1400	600	450
SF 6.14.8	26U	600	1400	800	650
SF 6.16.6	31U	600	1600	600	450
SF 6.16.8	31U	600	1600	800	650
SF 6.18.6	35U	600	1800	600	450
SF 6.18.8	35U	600	1800	800	650
SF 6.20.6	40U	600	2000	600	450
SF 6.20.8	40U	600	2000	800	650
SF 6.22.6	44U	600	2200	600	450
SF 6.22.8	44U	600	2200	800	650
SF 8.10.6	17U	800	1000	600	450
SF 8.10.8	17U	800	1000	800	650
SF 8.12.6	22U	800	1200	600	450
SF 8.12.8	22U	800	1200	800	650
SF 8.14.6	26U	800	1400	600	450
SF 8.14.8	26U	800	1400	800	650
SF 8.16.6	31U	800	1600	600	450
SF 8.16.8	31U	800	1600	800	650
SF 8.18.6	35U	800	1800	600	450
SF 8.18.8	35U	800	1800	800	650
SF 8.20.6	40U	800	2000	600	450
SF 8.20.8	40U	800	2000	800	650
SF 8.22.6	44U	800	2200	600	450
SF 8.22.8	44U	800	2200	800	650

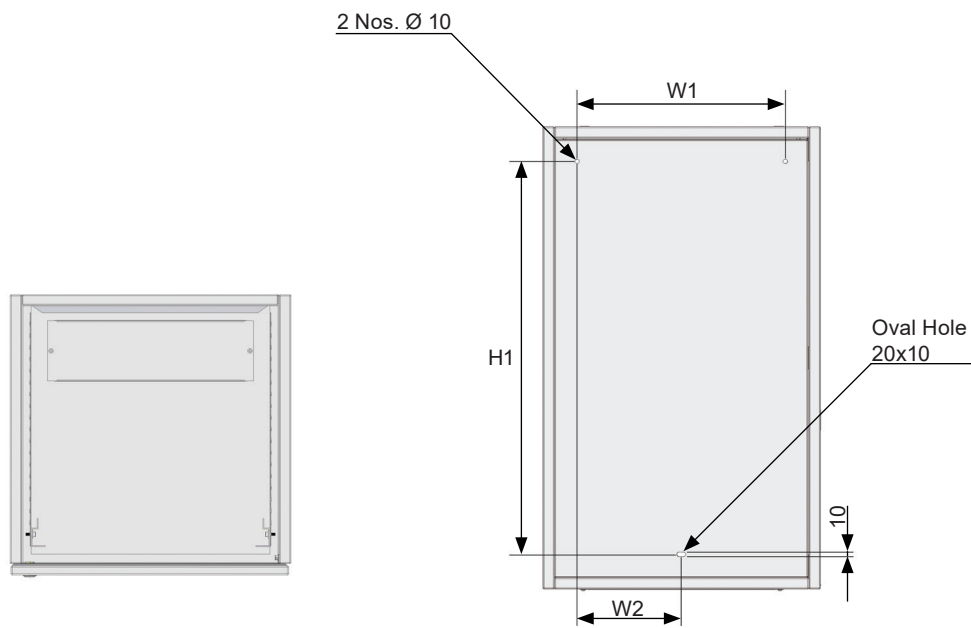
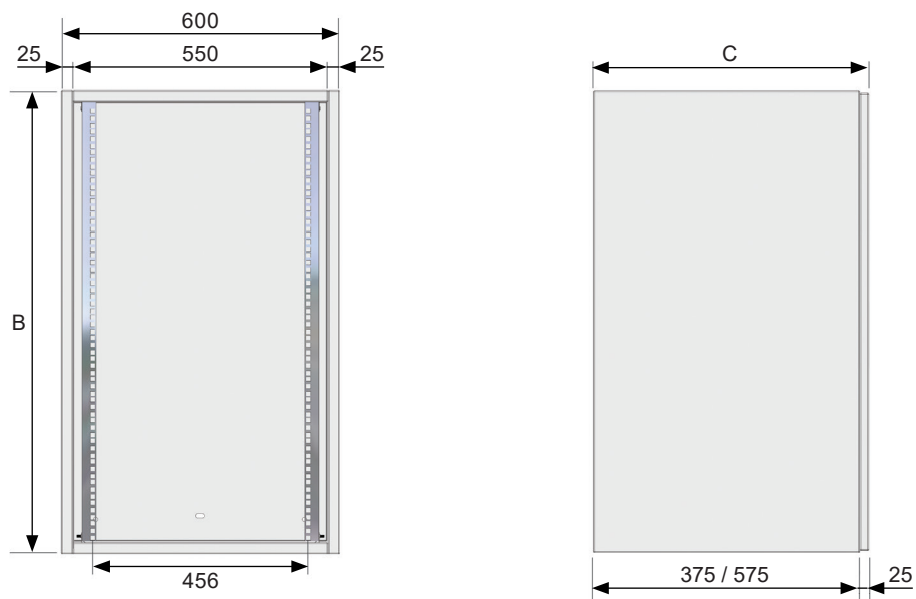
## 19" WALL MOUNTING CABINET ■

## 19" VÆG KABINET ■



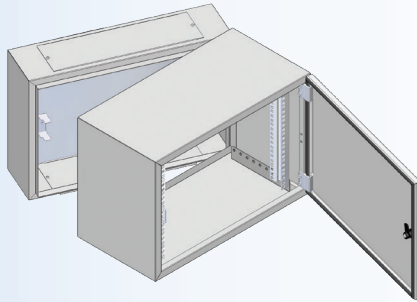
TYPE	DESCRIPTION	U/HE	SIZE (W×H×D)	WEIGHT (kg)	ORDER NO RAL7035 FT..
WM 6.3.4	19" WALL MOUNTING CABINET	5U	600 x 300 x 400	18.40	42004
WM 6.4.4	19" WALL MOUNTING CABINET	7U	600 x 400 x 400	20.00	42005
WM 6.5.4	19" WALL MOUNTING CABINET	10U	600 x 500 x 400	22.00	42007
WM 6.6.4	19" WALL MOUNTING CABINET	12U	600 x 600 x 400	24.40	42000
WM 6.8.4	19" WALL MOUNTING CABINET	16U	600 x 800 x 400	26.50	42010
WM 6.10.4	19" WALL MOUNTING CABINET	21U	600 x 1000 x 400	28.00	42020
WM 6.6.6	19" WALL MOUNTING CABINET	12U	600 x 600 x 600	31.80	42030
WM 6.8.6	19" WALL MOUNTING CABINET	16U	600 x 800 x 600	34.20	42040
WM 6.10.6	19" WALL MOUNTING CABINET	21U	600 x 1000 x 600	36.00	42050





\* Fasteners not included.

TYPE	OVERALL SIZE		MOUNTING HOLE POSITIONS		
	B	C	W1	W2	H1
WM 6.3.4	300	400	450	225	150
WM 6.4.4	400	400	450	225	250
WM 6.5.4	500	400	450	225	350
WM 6.6.4	600	400	450	225	450
WM 6.8.4	800	400	450	225	650
WM 6.10.4	1000	400	450	225	850
WM 6.6.6	600	600	450	225	450
WM 6.8.6	800	600	450	225	650
WM 6.10.6	1000	600	450	225	850



**19" SWING CABINET ■**

**19" SVING KABINET ■**

TYPE	DESCRIPTION	U/HE	SIZE (WxHxD)	WEIGHT (kg)	ORDER NO
DOU 6.4.5	19" SWING CABINET	7U	600×400×490	21.5	42400
DOU 6.6.5	19" SWING CABINET	12U	600×600×490	26.0	42403
DOU 6.8.5	19" SWING CABINET	16U	600×800×490	30.5	42406
DOU 6.10.5	19" SWING CABINET	21U	600×1000×490	35.0	42409



× 100 NOS



**BOX WALL MOUNTING  
BRACKETS ■**

**VÆG BESLAG ■**

TYPE	DESCRIPTION	WEIGHT (kg)	ORDER No. Aluminium
BWB	BOX WALL MOUNTING BRACKETS	0.40	50594

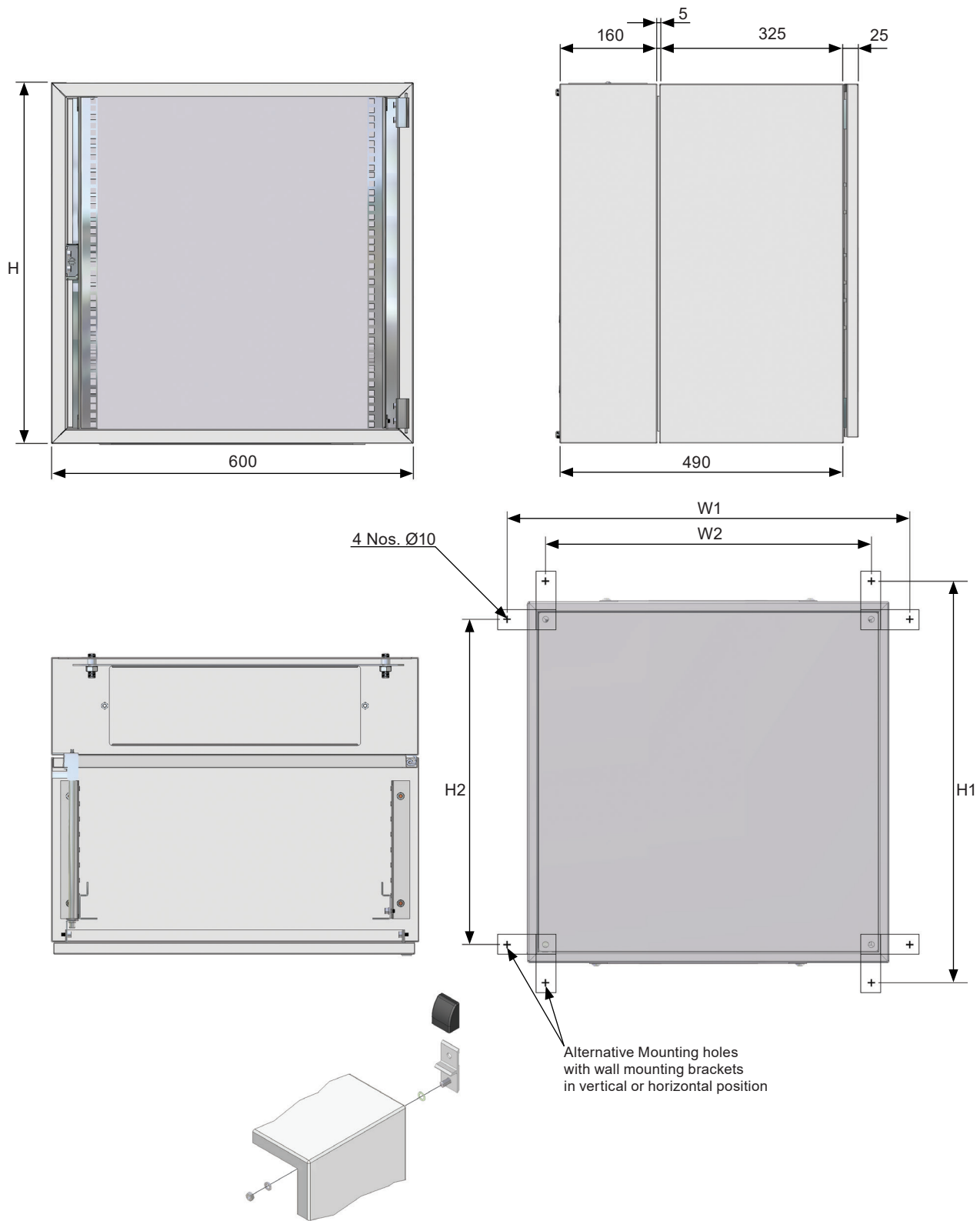


× 100 NOS

**WALL MOUNTING BRACKET  
COVERS ■**

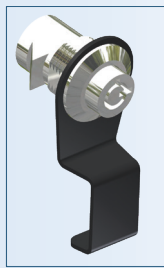
**SKJULER TIL VÆGBESLAG ■**

TYPE	DESCRIPTION	WEIGHT (kg)	ORDER No.
WBC	WALL MOUNTING BRACKET COVERS	0.1	50595



\* Fasteners are not included.

TYPE	OVRALL SIZE (H)	MOUNTING HOLE POSITIONS			
		W1	W2	H1	H2
DOU 6.4.5	400	640	560	440	360
DOU 6.6.5	600	640	560	640	560
DOU 6.8.5	800	640	560	840	760
DOU 6.10.5	1000	640	560	1040	960



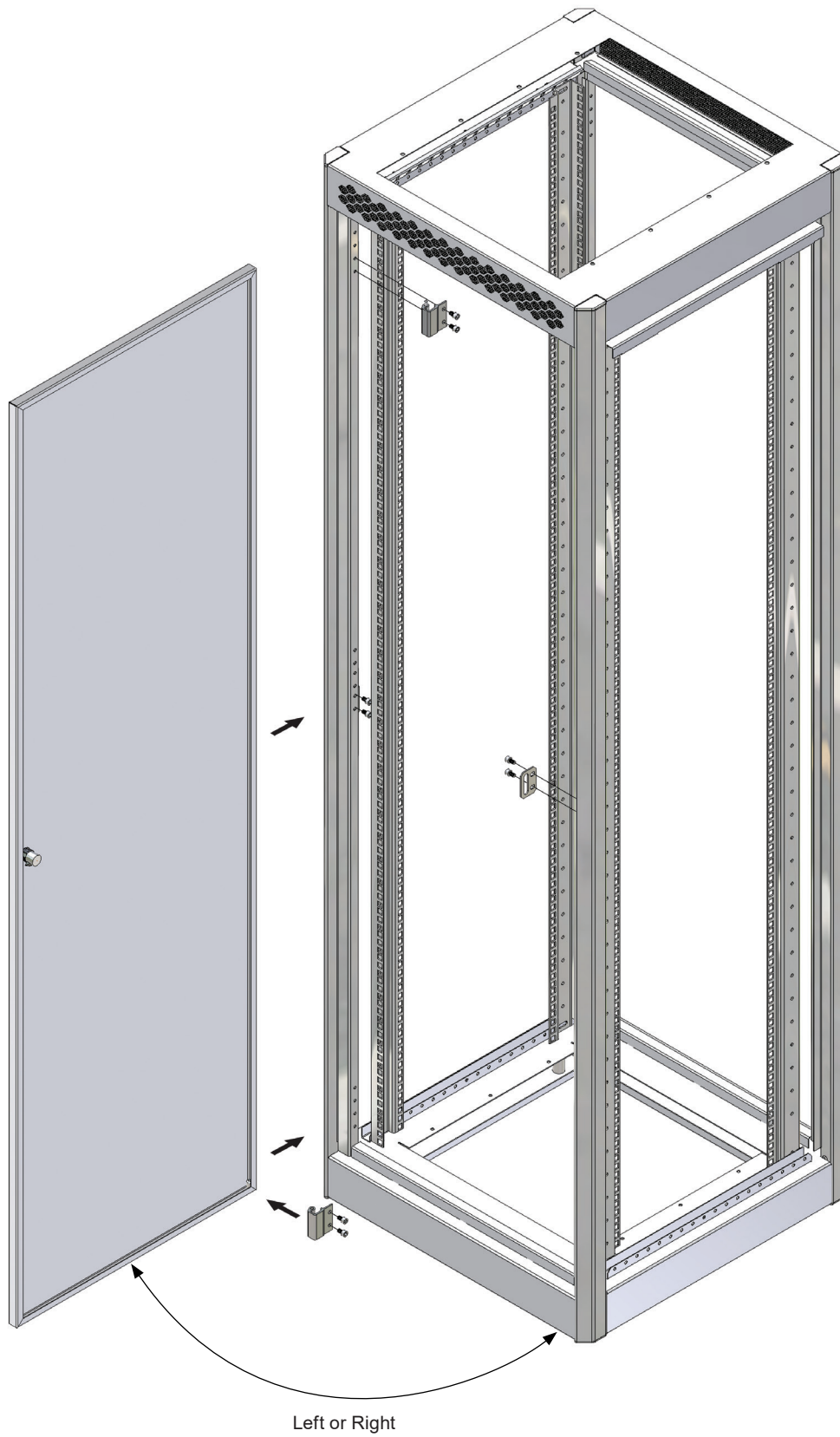
INCL

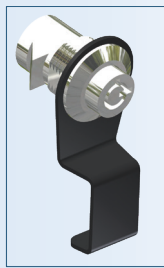


**STEEL DOOR ■**

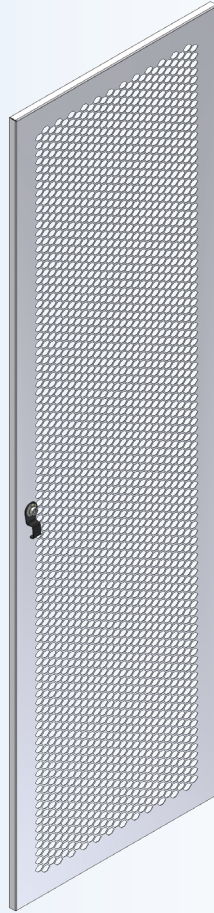
**STÅLDØR ■**

TYPE	DESCRIPTION	SIZE (W×H)	LOCKS	WEIGHT (kg)	ORDER NO
SFSD 6.10	STEEL DOOR	600 × 1000	1	5.17	43000
SFSD 6.12	STEEL DOOR	600 × 1200	1	6.34	43010
SFSD 6.14	STEEL DOOR	600 × 1400	1	7.51	43020
SFSD 6.16	STEEL DOOR	600 × 1600	1	8.68	43030
SFSD 6.18	STEEL DOOR	600 × 1800	1	9.85	43040
SFSD 6.20	STEEL DOOR	600 × 2000	1	11.02	43050
SFSD 6.22	STEEL DOOR	600 × 2200	1	12.19	43060
SFSD 8.10	STEEL DOOR	800 × 1000	1	6.90	43100
SFSD 8.12	STEEL DOOR	800 × 1200	1	8.46	43110
SFSD 8.14	STEEL DOOR	800 × 1400	1	10.02	43120
SFSD 8.16	STEEL DOOR	800 × 1600	1	11.58	43130
SFSD 8.18	STEEL DOOR	800 × 1800	1	13.14	43140
SFSD 8.20	STEEL DOOR	800 × 2000	1	14.70	43150
SFSD 8.22	STEEL DOOR	800 × 2200	1	16.26	43160





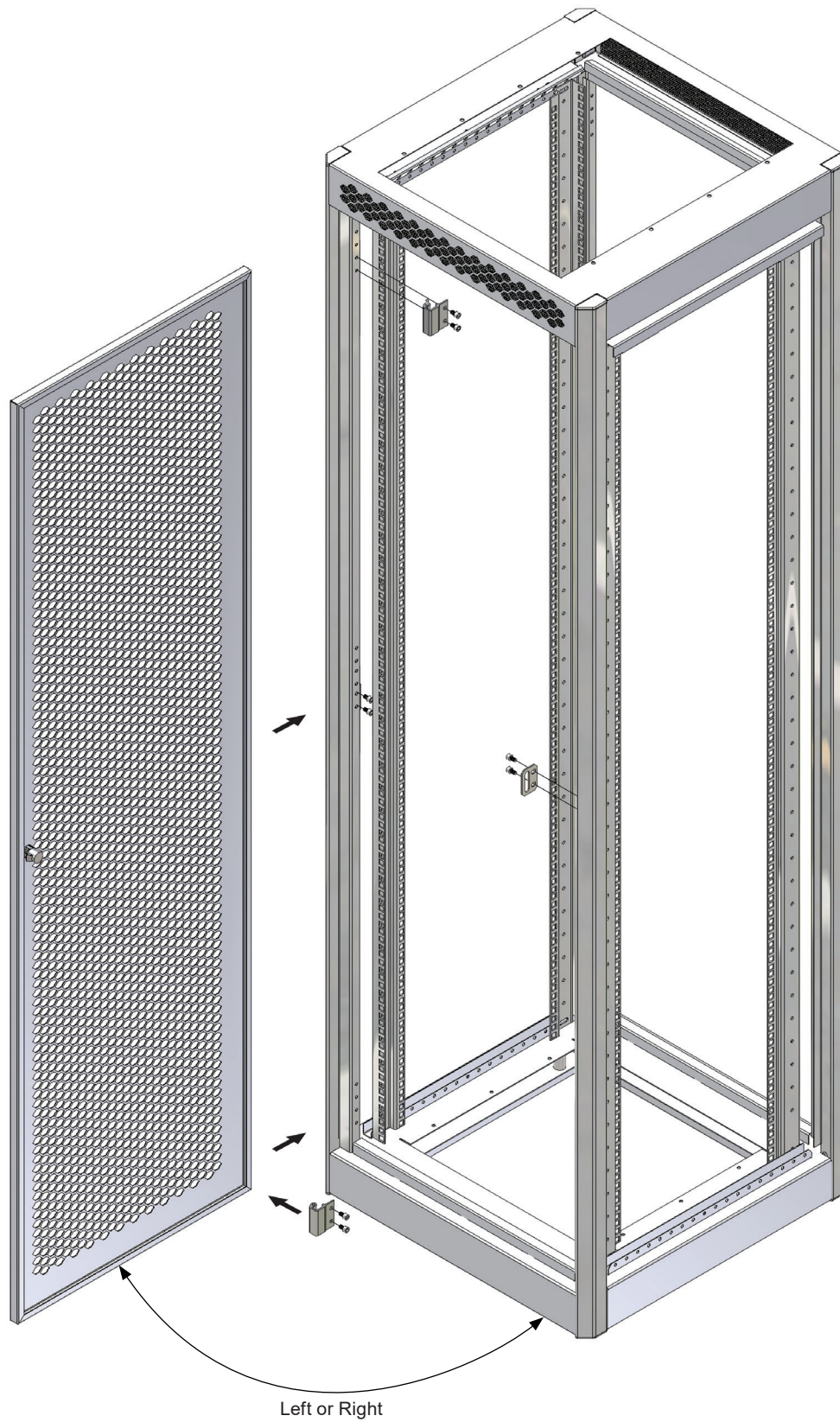
INCL

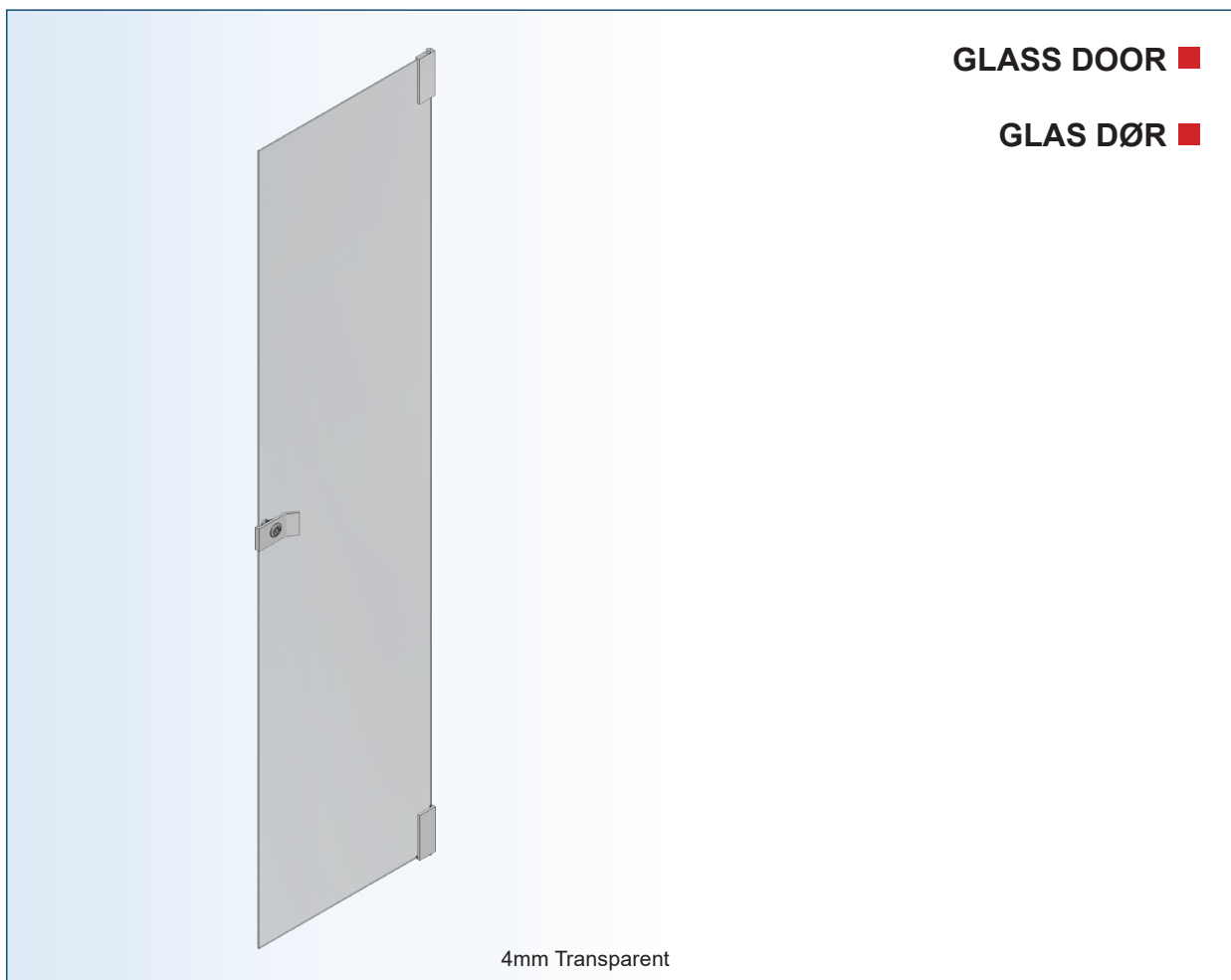


**STEEL DOOR WITH MESH ■**

**STÅLDØR MED HULLER ■**

TYPE	DESCRIPTION	SIZE (W×H)	LOCKS	WEIGHT (kg)	ORDER NO
SFDM 6.10	STEEL DOOR WITH MESH	600 × 1000	1	4.50	43200
SFDM 6.12	STEEL DOOR WITH MESH	600 × 1200	1	5.52	43210
SFDM 6.14	STEEL DOOR WITH MESH	600 × 1400	1	6.53	43220
SFDM 6.16	STEEL DOOR WITH MESH	600 × 1600	1	7.55	43230
SFDM 6.18	STEEL DOOR WITH MESH	600 × 1800	1	8.56	43240
SFDM 6.20	STEEL DOOR WITH MESH	600 × 2000	1	9.58	43250
SFDM 6.22	STEEL DOOR WITH MESH	600 × 2200	1	10.60	43260
SFDM 8.10	STEEL DOOR WITH MESH	800 × 1000	1	6.02	43300
SFDM 8.12	STEEL DOOR WITH MESH	800 × 1200	1	7.37	43310
SFDM 8.14	STEEL DOOR WITH MESH	800 × 1400	1	8.73	43320
SFDM 8.16	STEEL DOOR WITH MESH	800 × 1600	1	10.09	43330
SFDM 8.18	STEEL DOOR WITH MESH	800 × 1800	1	11.45	43340
SFDM 8.20	STEEL DOOR WITH MESH	800 × 2000	1	12.81	43350
SFDM 8.22	STEEL DOOR WITH MESH	800 × 2200	1	14.17	43360





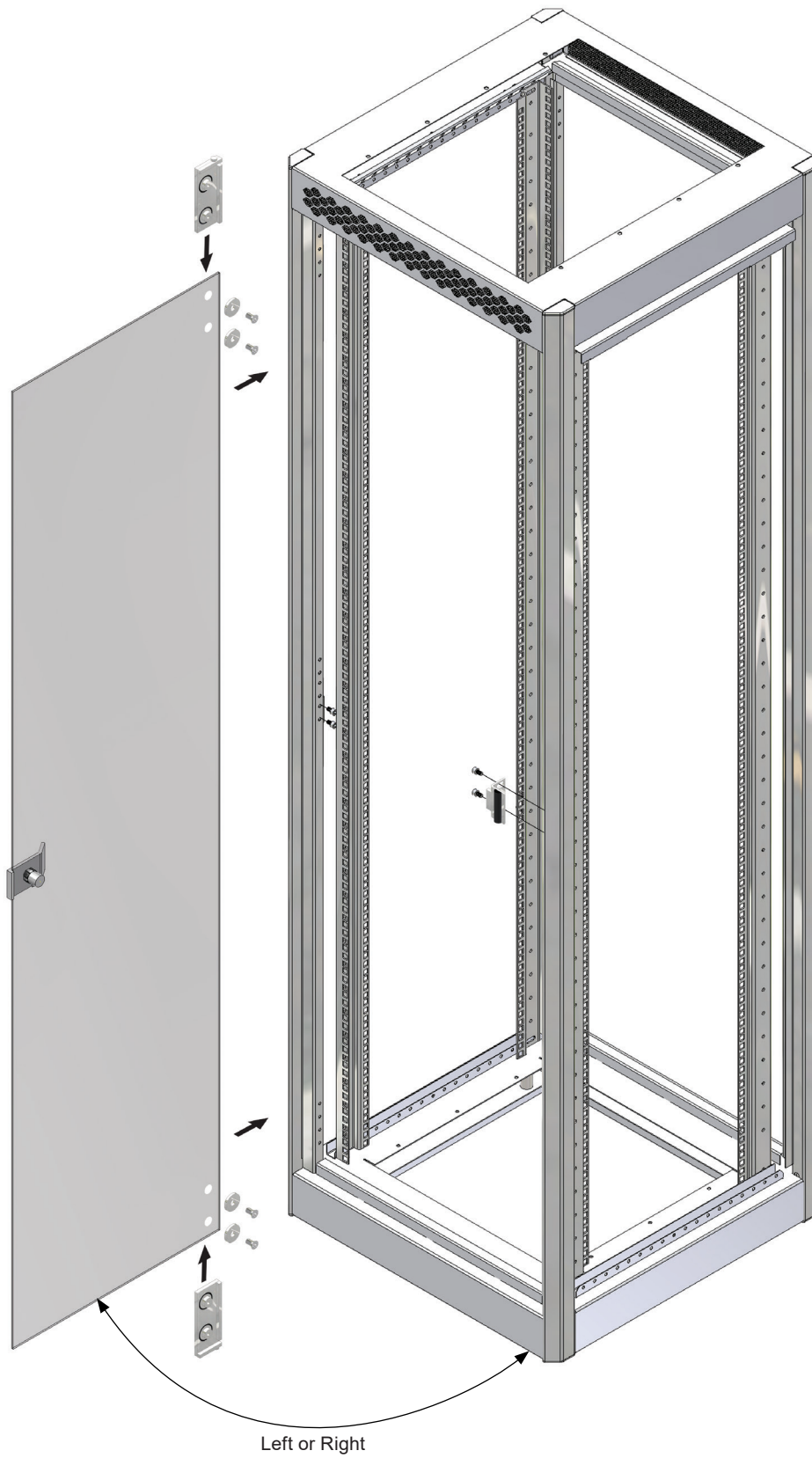
**GLASS DOOR ■**

**GLAS DØR ■**

4mm Transparent

TYPE	DESCRIPTION	SIZE (W×H)	LOCKS	WEIGHT (kg)	ORDER NO
SFGD 6.10	GLASS DOOR	600 × 1000	1	5.92	43400
SFGD 6.12	GLASS DOOR	600 × 1200	1	7.09	43410
SFGD 6.14	GLASS DOOR	600 × 1400	1	8.26	43420
SFGD 6.16	GLASS DOOR	600 × 1600	1	9.43	43430
SFGD 6.18	GLASS DOOR	600 × 1800	1	10.60	43440
SFGD 6.20	GLASS DOOR	600 × 2000	1	11.77	43450
SFGD 6.22	GLASS DOOR	600 × 2200	1	12.94	43460
SFGD 8.10	GLASS DOOR	800 × 1000	1	7.65	43500
SFGD 8.12	GLASS DOOR	800 × 1200	1	9.21	43510
SFGD 8.14	GLASS DOOR	800 × 1400	1	10.77	43520
SFGD 8.16	GLASS DOOR	800 × 1600	1	12.33	43530
SFGD 8.18	GLASS DOOR	800 × 1800	1	13.89	43540
SFGD 8.20	GLASS DOOR	800 × 2000	1	15.45	43550
SFGD 8.22	GLASS DOOR	800 × 2200	1	17.01	43560



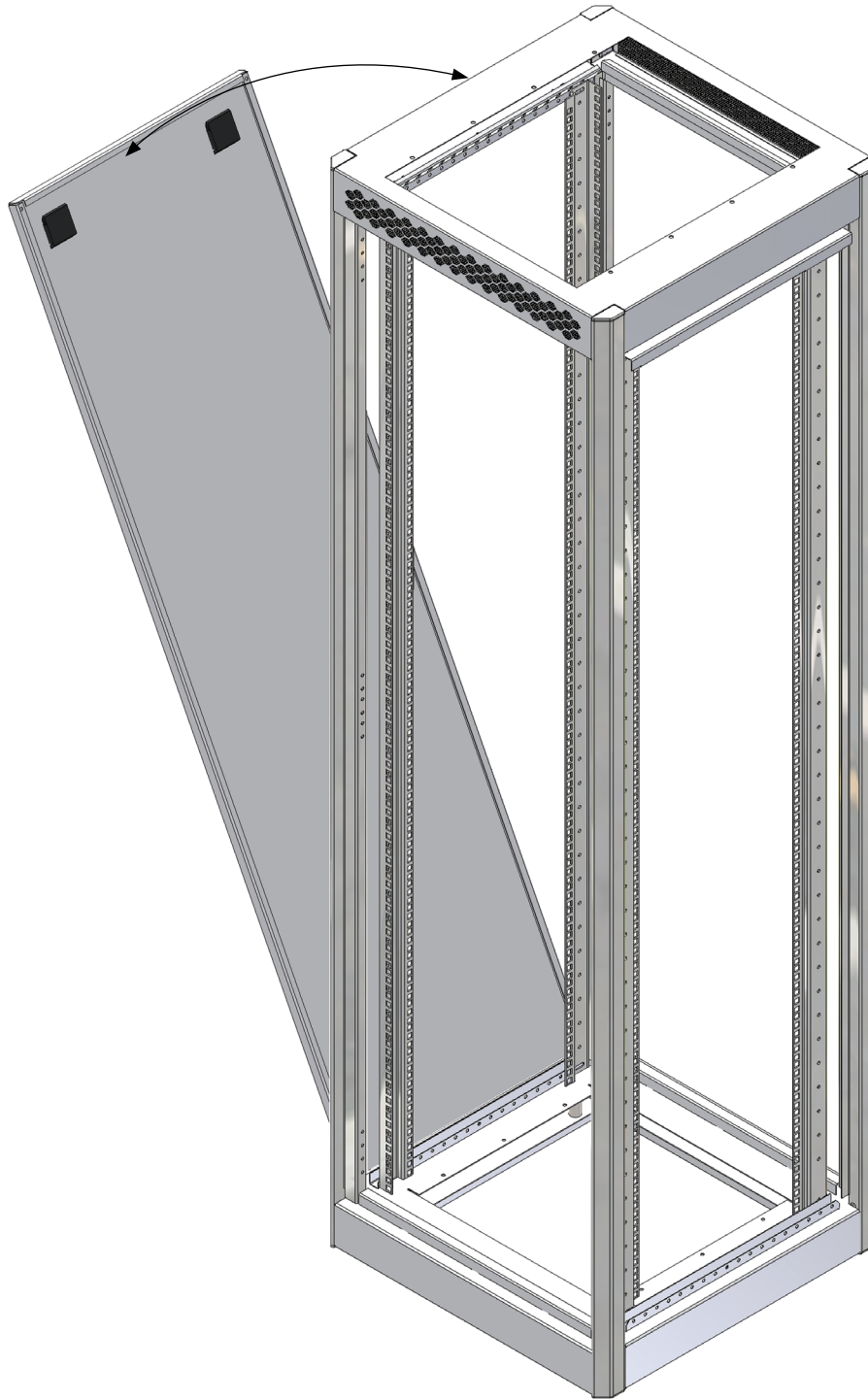


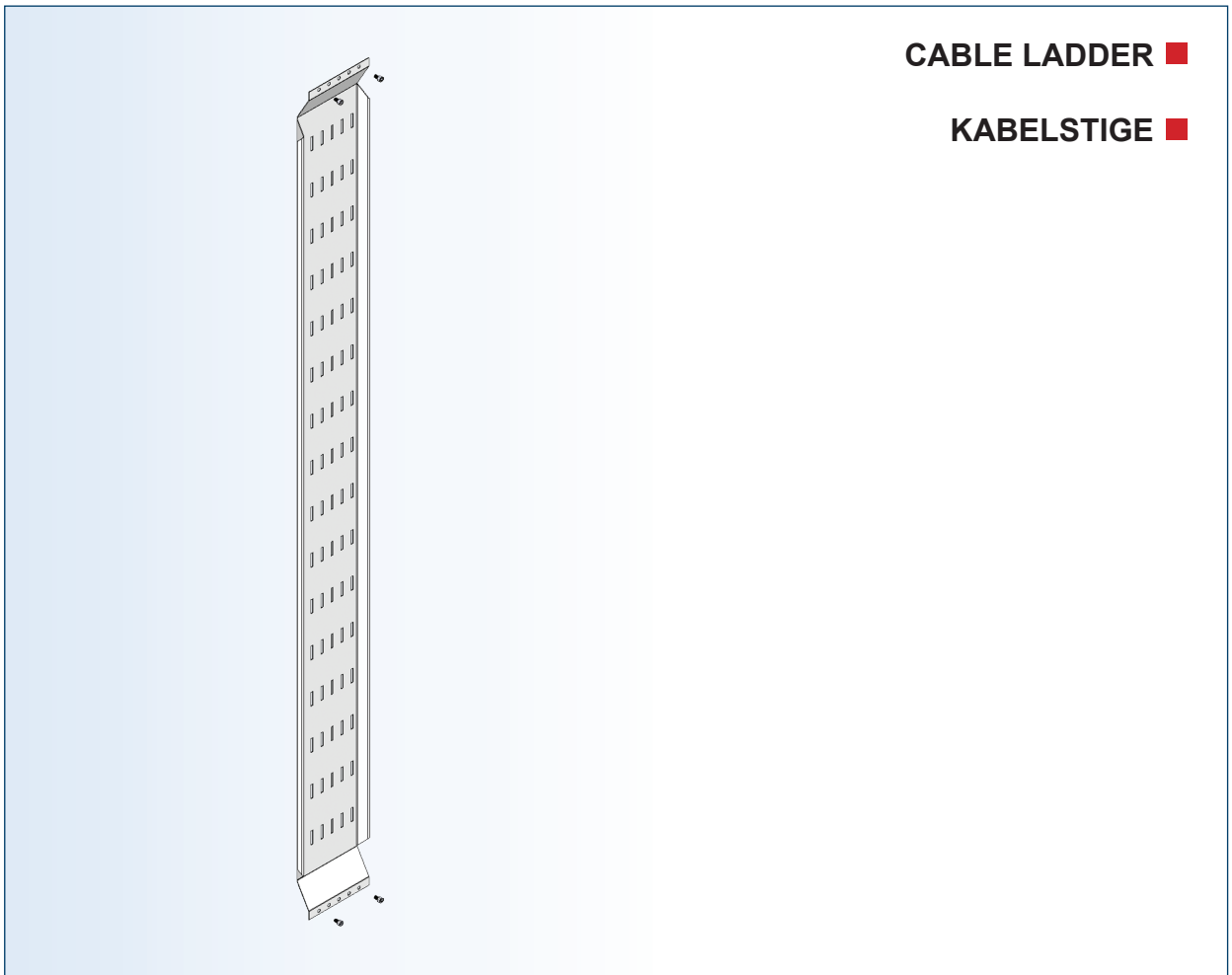


**SIDE COVER ■**

**SIDE PLADE ■**

TYPE	DESCRIPTION	SIZE (W×H)	LOCKS	WEIGHT (kg)	ORDER NO
SFSC 6.10	SIDE COVER	600 × 1000	1	4.91	43600
SFSC 6.12	SIDE COVER	600 × 1200	1	5.98	43610
SFSC 6.14	SIDE COVER	600 × 1400	1	7.05	43620
SFSC 6.16	SIDE COVER	600 × 1600	1	8.13	43630
SFSC 6.18	SIDE COVER	600 × 1800	1	9.20	43640
SFSC 6.20	SIDE COVER	600 × 2000	1	10.27	43650
SFSC 6.22	SIDE COVER	600 × 2200	1	11.34	43660
SFSC 8.10	SIDE COVER	800 × 1000	1	6.67	43700
SFSC 8.12	SIDE COVER	800 × 1200	1	8.13	43710
SFSC 8.14	SIDE COVER	800 × 1400	1	9.59	43720
SFSC 8.16	SIDE COVER	800 × 1600	1	11.04	43730
SFSC 8.18	SIDE COVER	800 × 1800	1	12.50	43740
SFSC 8.20	SIDE COVER	800 × 2000	1	13.95	43750
SFSC 8.22	SIDE COVER	800 × 2200	1	15.41	43760

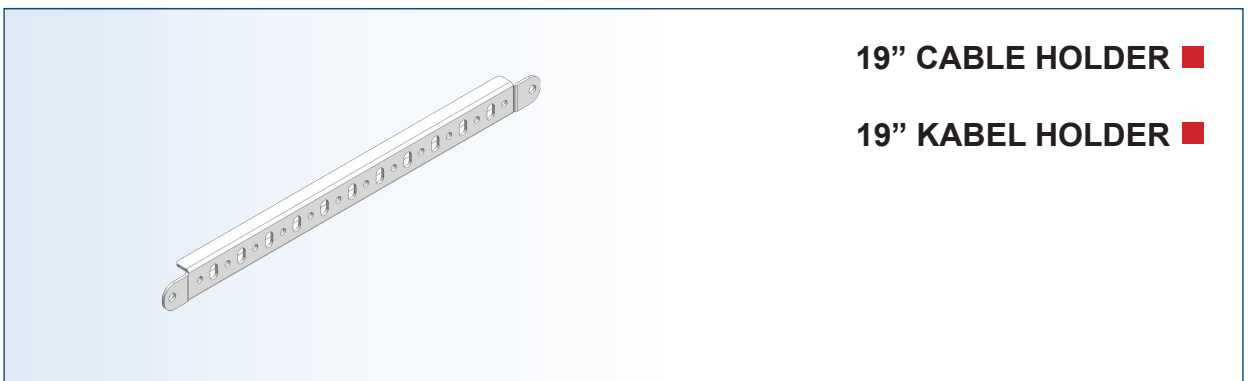




**CABLE LADDER ■**

**KABELSTIGE ■**

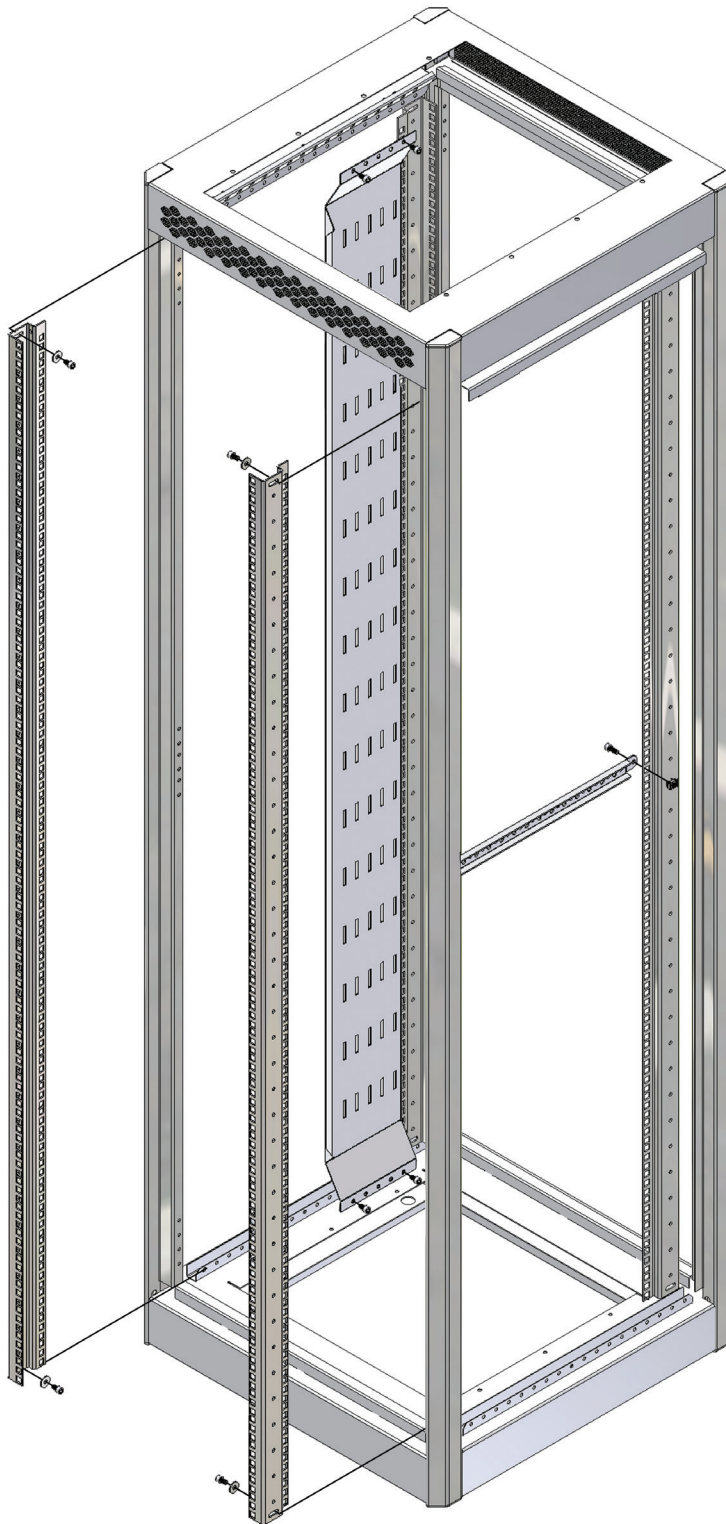
TYPE	DESCRIPTION	U/HE	SIZE	WEIGHT (kg)	ORDER NO
SFCL 10	CABLE LADDER	17U	1000	1.62	43800
SFCL 12	CABLE LADDER	22U	1200	2.01	43810
SFCL 14	CABLE LADDER	26U	1400	2.38	43820
SFCL 16	CABLE LADDER	31U	1600	2.76	43830
SFCL 18	CABLE LADDER	35U	1800	3.14	43840
SFCL 20	CABLE LADDER	40U	2000	3.52	43850
SFCL 22	CABLE LADDER	44U	2200	3.91	43860

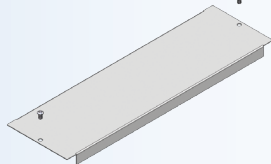


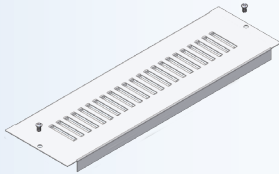
**19" CABLE HOLDER ■**

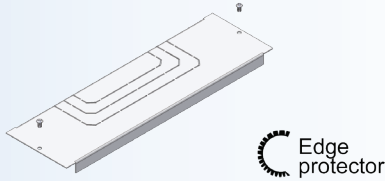
**19" KABEL HOLDER ■**

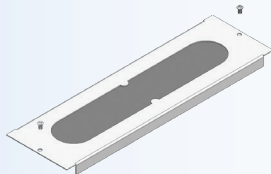
TYPE	DESCRIPTION	SIZE	WEIGHT (kg)	ORDER NO
CBH 175	19" CABLE HOLDER	175	0.10	41150
CBH 325	19" CABLE HOLDER	325	0.18	41160
CBH 525	19" CABLE HOLDER	525	0.30	41170

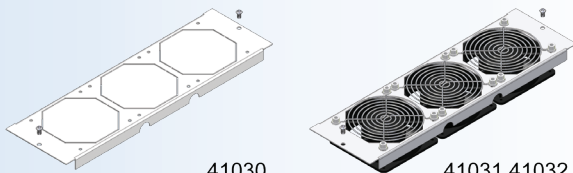


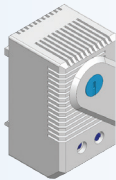
		<b>BLANK COVER</b> ■ <b>BLIND PLAQUE</b> ■			
		<b>TYPE</b>	<b>DESCRIPTION</b>	<b>SIZE</b>	<b>WEIGHT (kg)</b>
BC	BLANK COVER	600 × 130	0.62	41000	

		<b>LOUVRE PLATE</b> ■ <b>GÆLLE PLAQUE</b> ■			
		<b>TYPE</b>	<b>DESCRIPTION</b>	<b>SIZE</b>	<b>WEIGHT (kg)</b>
LP	LOUVRE PLATE	600 × 130	0.62	41010	

		<b>CABLE GLAND PLATE</b> ■ <b>KABELGENNEMFØRINGS PLAQUE</b> ■			
		<b>TYPE</b>	<b>DESCRIPTION</b>	<b>SIZE</b>	<b>WEIGHT (kg)</b>
CP	CABLE GLAND PLATE	600 × 130	0.62	41020	

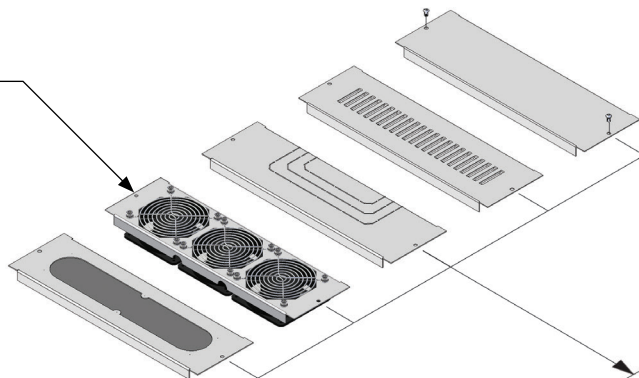
		<b>QUICK GLAND PLATE</b> ■ <b>QUICK GLAND PLATE</b> ■			
		<b>TYPE</b>	<b>DESCRIPTION</b>	<b>SIZE</b>	<b>WEIGHT (kg)</b>
QP	QUICK GLAND PLATE	600 × 130	0.66	41037	

		<b>FAN PLATES</b> ■ <b>VENTILATOR PLAQUE</b> ■			
		<b>TYPE</b>	<b>DESCRIPTION</b>	<b>SIZE</b>	<b>WEIGHT (kg)</b>
FAP	FAN PLATE	600 × 130	0.62	41030	
FAP 230	FAN PLATE WITH FAN 230V AC	600 × 130	0.62	41031	
FAP 12	FAN PLATE WITH FAN 12V DC	600 × 130	0.62	41032	

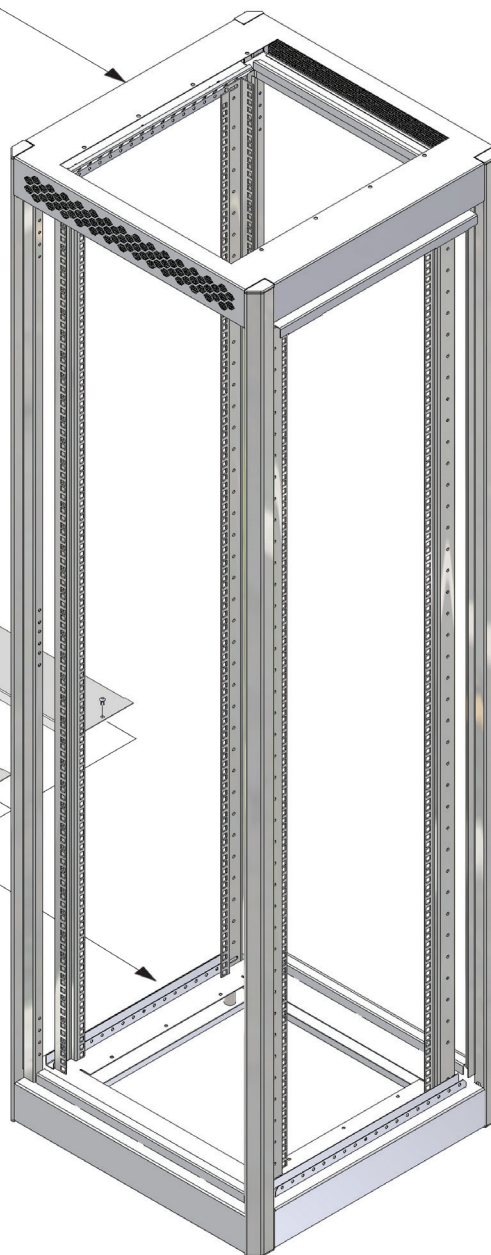
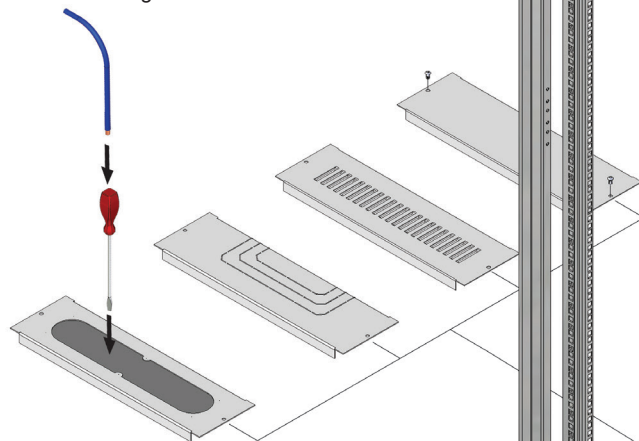
		<b>THERMOSTAT</b> ■ <b>TERMOSTAT</b> ■			
		<b>TYPE</b>	<b>DESCRIPTION</b>	<b>WEIGHT (kg)</b>	<b>ORDER NO</b>
TEM	THERMOSTAT 0 - 60°C		0.36	42453	

Combine anyway you like

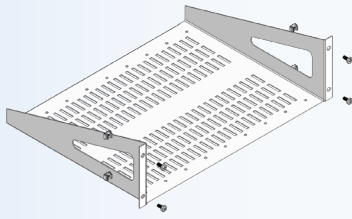
**Fan 230V AC**  
Air flow : 87-107 CFM  
(144-178m<sup>3</sup>/h)



Punch a hole with a screw driver  
and press the cable through



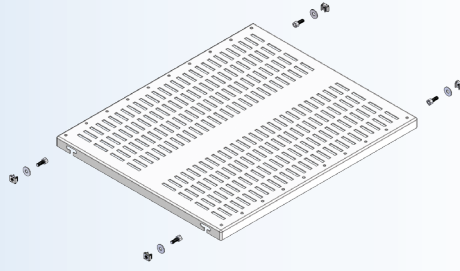
CABINET SIZE (W×D)	NO. OF GLANDS	
	TOP	BOTTOM
600×600	4	3
600×800	5	5
800×600	4	3
800×800	5	4



**TRAY** ■

**BAKKE** ■

TYPE	DESCRIPTION	SIZE (W×H)	WEIGHT (kg)	ORDER NO
TR	TRAY	600 × 3U	2.5	41590



**19" SHELVES** ■

**19" HYLDE** ■

TYPE	DESCRIPTION	SIZE (W×H)	WEIGHT (kg)	ORDER NO
SHE 6.2,5	19" SHELVES	600 × 250	1.60	41045
SHE 6.4	19" SHELVES	600 × 400	2.25	41050
SHE 6.5	19" SHELVES	600 × 500	2.91	41055
SHE 6.6	19" SHELVES	600 × 600	3.37	41060

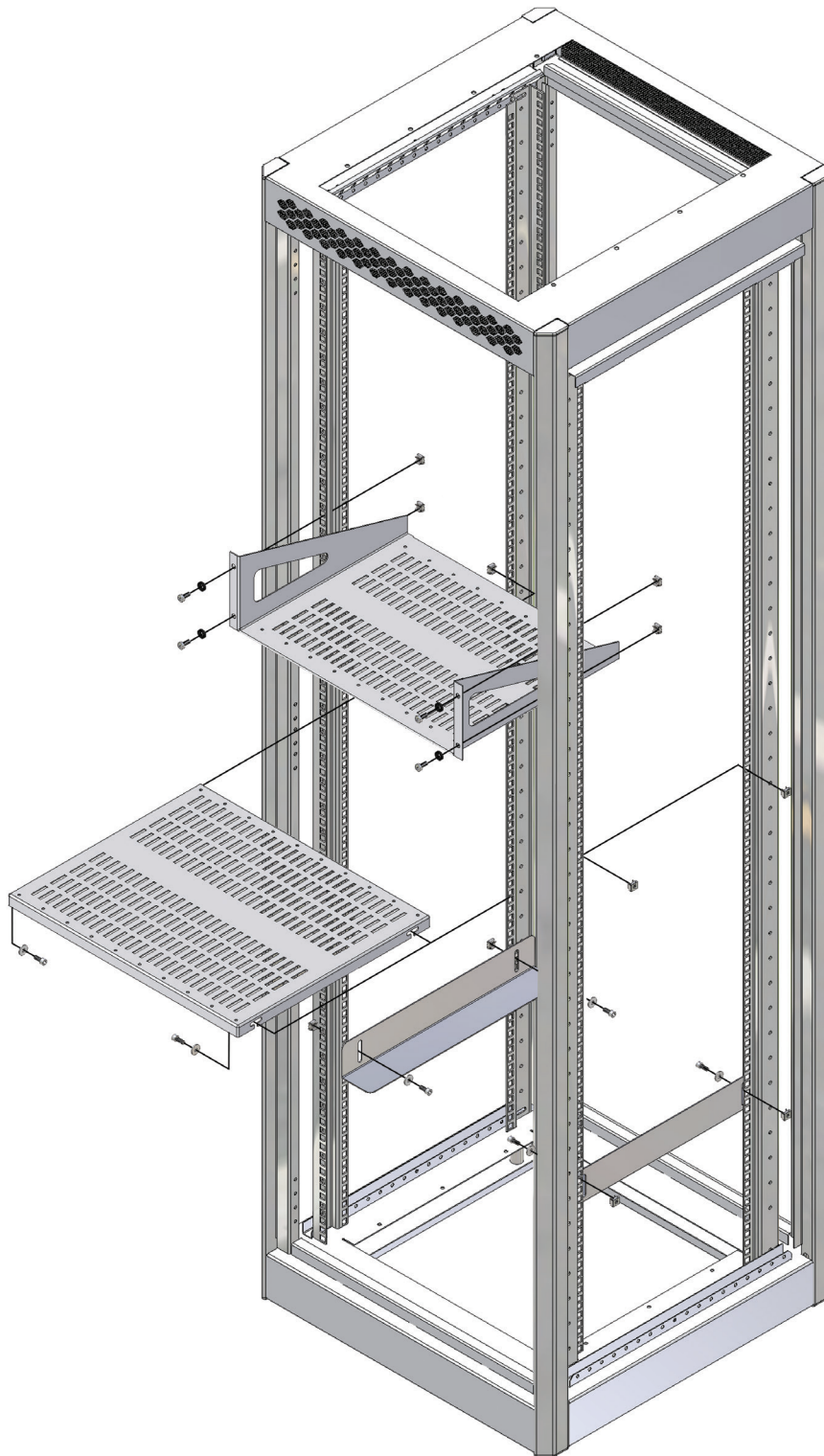


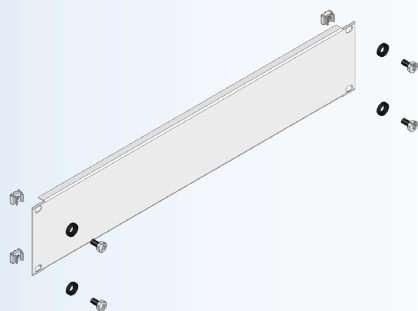
**19" SUPPORT RAILS** ■

**19" SUPPORT SKINNE** ■

TYPE	DESCRIPTION	SIZE (DEPTH)	WEIGHT (kg)	ORDER NO
SPR 2,5	19" SUPPORT RAILS	250	0.68	41600
SPR 4	19" SUPPORT RAILS	400	1.10	41610
SPR 5	19" SUPPORT RAILS	500	1.35	41615
SPR 6	19" SUPPORT RAILS	600	1.65	41620



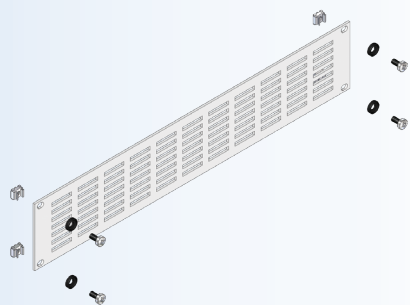




**19" FRONT PANEL ■**

**19" FRONT PLADE ■**

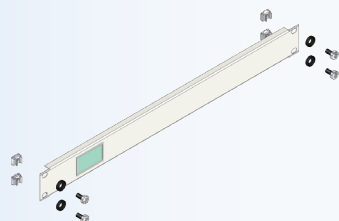
TYPE	DESCRIPTION	SIZE (W×H)	WEIGHT (kg)	ORDER NO
FP 1	19" FRONT PANEL 1.2 mm PAINTED	600 × 1U	0.25	41200
FP 2	19" FRONT PANEL 1.2 mm PAINTED	600 × 2U	0.45	41210
FP 3	19" FRONT PANEL 1.2 mm PAINTED	600 × 3U	0.66	41220
FP 4	19" FRONT PANEL 1.2 mm PAINTED	600 × 4U	0.86	41230
FP 5	19" FRONT PANEL 1.2 mm PAINTED	600 × 5U	1.60	41240
FP 1	19" FRONT PANEL 3 mm ALUMINIUM	600 × 1U	0.17	41300
FP 2	19" FRONT PANEL 3 mm ALUMINIUM	600 × 2U	0.32	41310
FP 3	19" FRONT PANEL 3 mm ALUMINIUM	600 × 3U	0.47	41320
FP 4	19" FRONT PANEL 3 mm ALUMINIUM	600 × 4U	0.62	41325
FP 5	19" FRONT PANEL 3 mm ALUMINIUM	600 × 5U	0.77	41330
FP 1	19" FRONT PANEL 3 mm ALUMINIUM PAINTED	600 × 1U	0.17	41400
FP 2	19" FRONT PANEL 3 mm ALUMINIUM PAINTED	600 × 2U	0.32	41410
FP 3	19" FRONT PANEL 3 mm ALUMINIUM PAINTED	600 × 3U	0.47	41420
FP 4	19" FRONT PANEL 3 mm ALUMINIUM PAINTED	600 × 4U	0.62	41425
FP 5	19" FRONT PANEL 3 mm ALUMINIUM PAINTED	600 × 5U	0.77	41430



**19" FRONT PANEL ■  
WITH LOUVRES**

**19" FRONT PLADE ■  
MED GÆLLER**

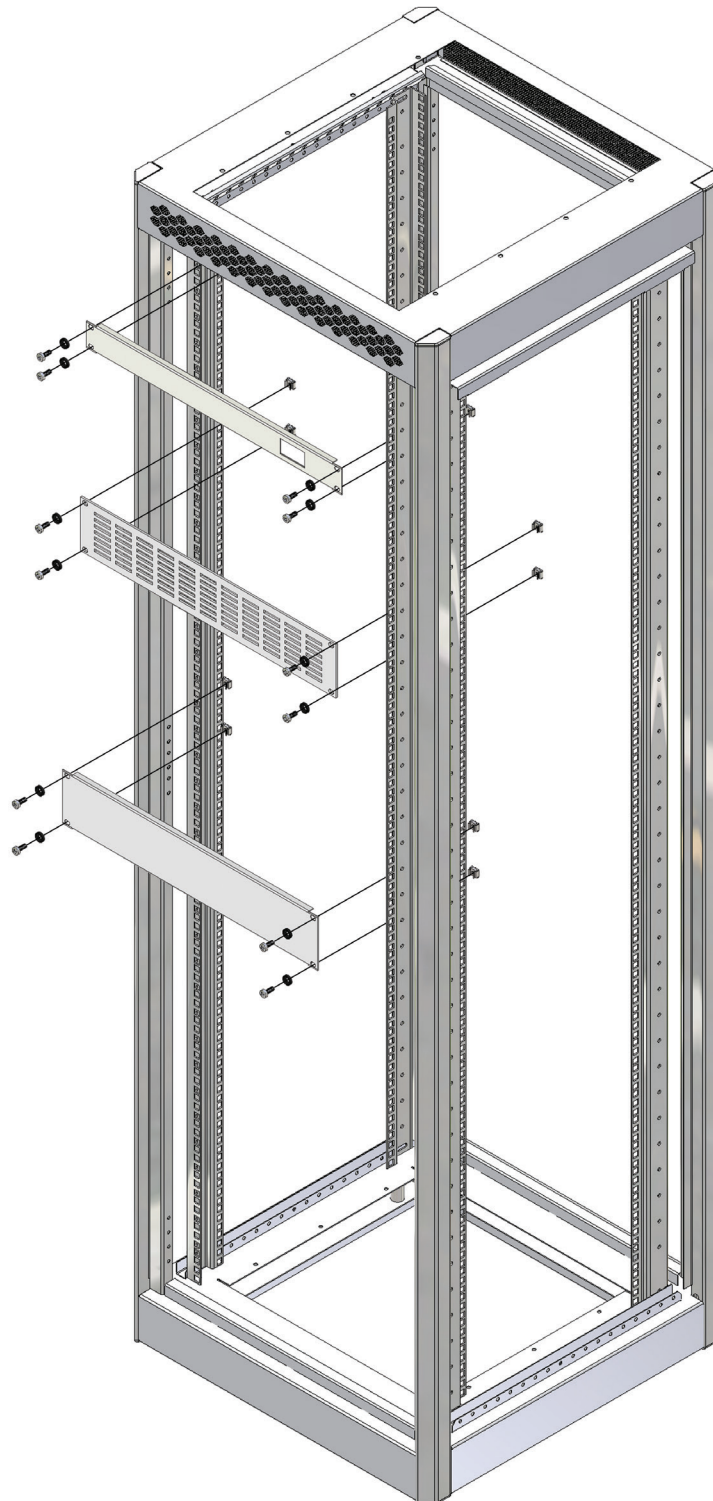
TYPE	DESCRIPTION	SIZE (DEPTH)	WEIGHT (kg)	ORDER NO
GP 1	19" FRONT PANEL WITH LOUVRES 3 mm ALUMINIUM PAINTED	600 × 1U	0.13	41500
GP 2	19" FRONT PANEL WITH LOUVRES 3 mm ALUMINIUM PAINTED	600 × 2U	0.22	41510
GP 3	19" FRONT PANEL WITH LOUVRES 3 mm ALUMINIUM PAINTED	600 × 3U	0.35	41520
GP 4	19" FRONT PANEL WITH LOUVRES 3 mm ALUMINIUM PAINTED	600 × 4U	0.50	41525
GP 5	19" FRONT PANEL WITH LOUVRES 3 mm ALUMINIUM PAINTED	600 × 5U	0.60	41530

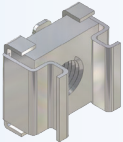


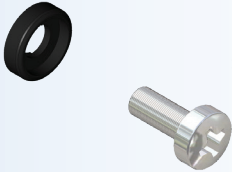
**19" FRONT PANEL ■  
WITH THERMOMETER**

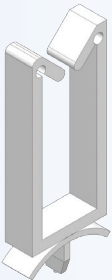
**19" FRONT PLADE ■  
MED TERMOMETER**

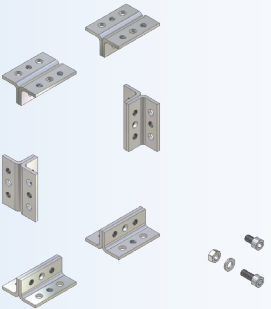
TYPE	DESCRIPTION	SIZE (W×H)	WEIGHT (kg)	ORDER NO
FPT	19" FRONT PANEL WITH THERMOMETER	600 × 1U	0.42	41206

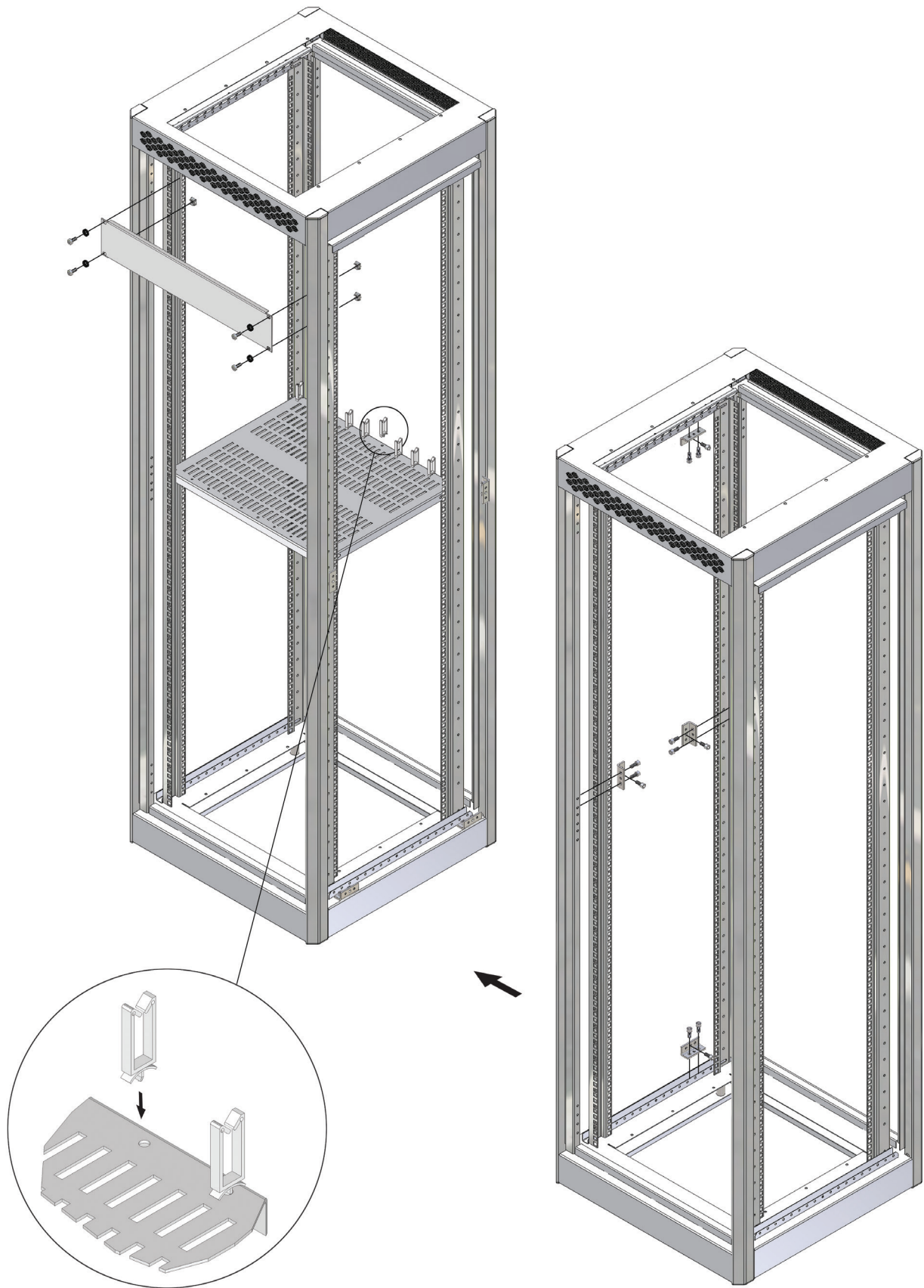


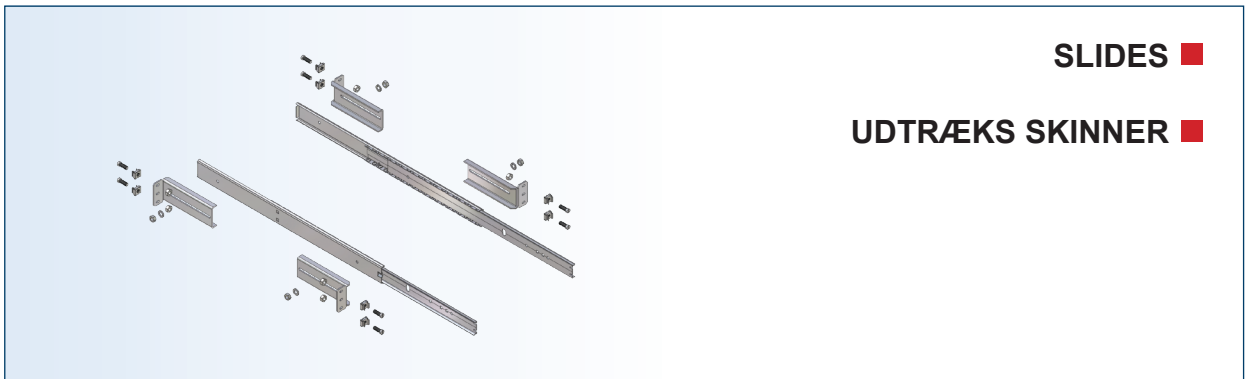
 × 100 NOS		<b>CLIP NUT ■</b> <b>CLIPS MØTRIK ■</b>		
		<b>TYPE</b>	<b>DESCRIPTION</b>	<b>SIZE</b>
CLN	CLIP NUT	10 × 10 / M6	0.02	41700

 × 100 NOS		<b>SCREWS AND WASHERS ■</b> <b>FRONT PLADE SKRUER ■</b> <b>OG SKIVER</b>		
		<b>TYPE</b>	<b>DESCRIPTION</b>	<b>SIZE</b>
SAW	SCREWS AND WASHERS	M6	0.02	41720

 × 100 NOS		<b>19" CABLE CLIP ■</b> <b>19" KABEL HOLDER ■</b>		
		<b>TYPE</b>	<b>DESCRIPTION</b>	<b>WEIGHT (kg)</b>
CAL	19" CABLE CLIP		0.02	41750

 M6×8 - 24 NOS M6×16 - 06 NOS		<b>ASSEMBLY BRACKETS ■</b> <b>SAMMEN SPÆNDINGS BESLAG ■</b>		
		<b>TYPE</b>	<b>DESCRIPTION</b>	<b>SIZE</b>
ASB	ASSEMBLY BRACKETS	50 × 40	0.55	41760



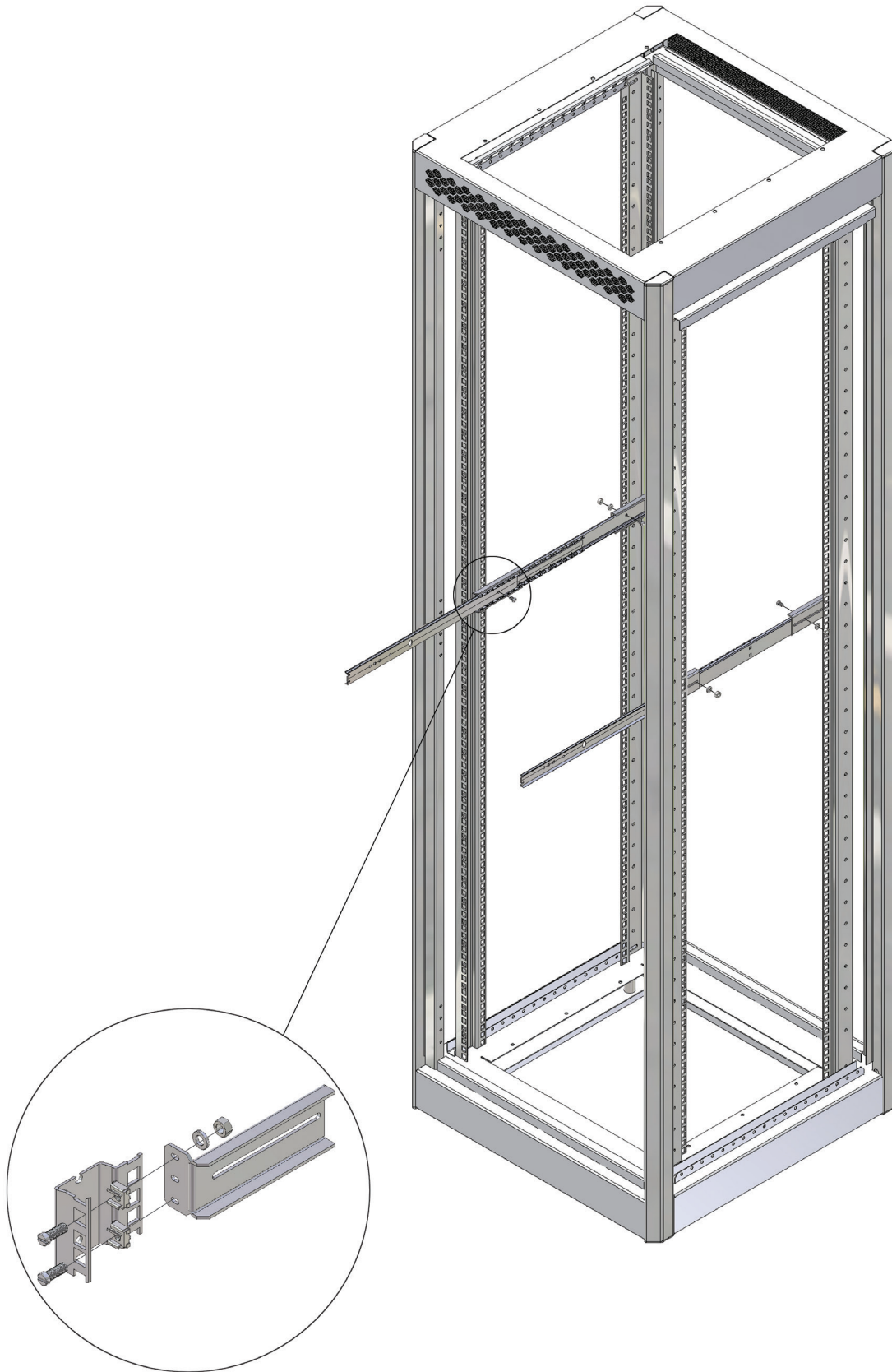


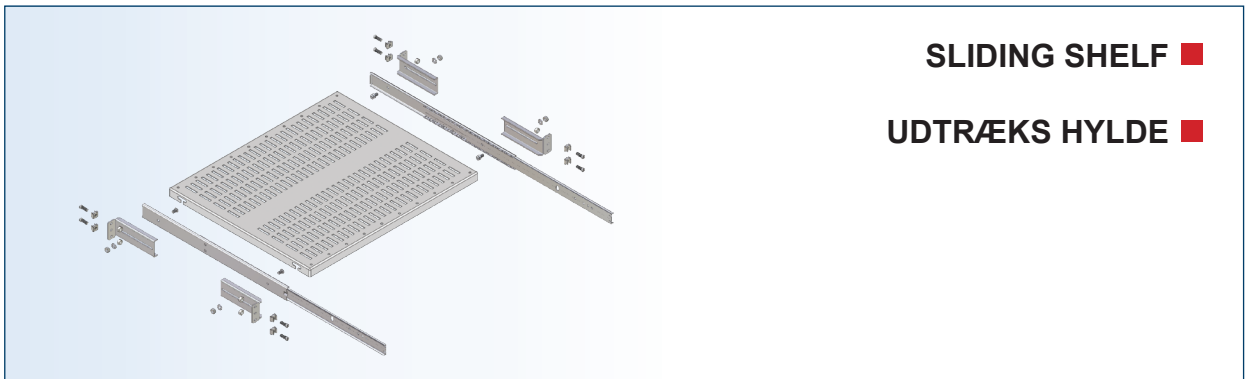
**SLIDES ■**

**UDTRÆKS SKINNER ■**

TYPE	DESCRIPTION	SIZE	MAXIMUM LOAD	WITH LATCH LOCK EXTENSION	WEIGHT (kg)	ORDER NO
SL 4	SLIDES	35 × 400	45	75 %	1.2	41810
SL 5	SLIDES	35 × 500	45	75 %	1.3	41813
SL 6	SLIDES	35 × 600	45	75 %	1.5	41816

TYPE	DESCRIPTION	SIZE	MAXIMUM LOAD	WITHOUT LATCH LOCK EXTENSION	WEIGHT (kg)	ORDER NO
SLD 4	SLIDES	35 × 400	45	100 %	1.85	41820
SLD 5	SLIDES	35 × 500	45	100 %	2.03	41823
SLD 6	SLIDES	35 × 600	45	100 %	2.65	41826





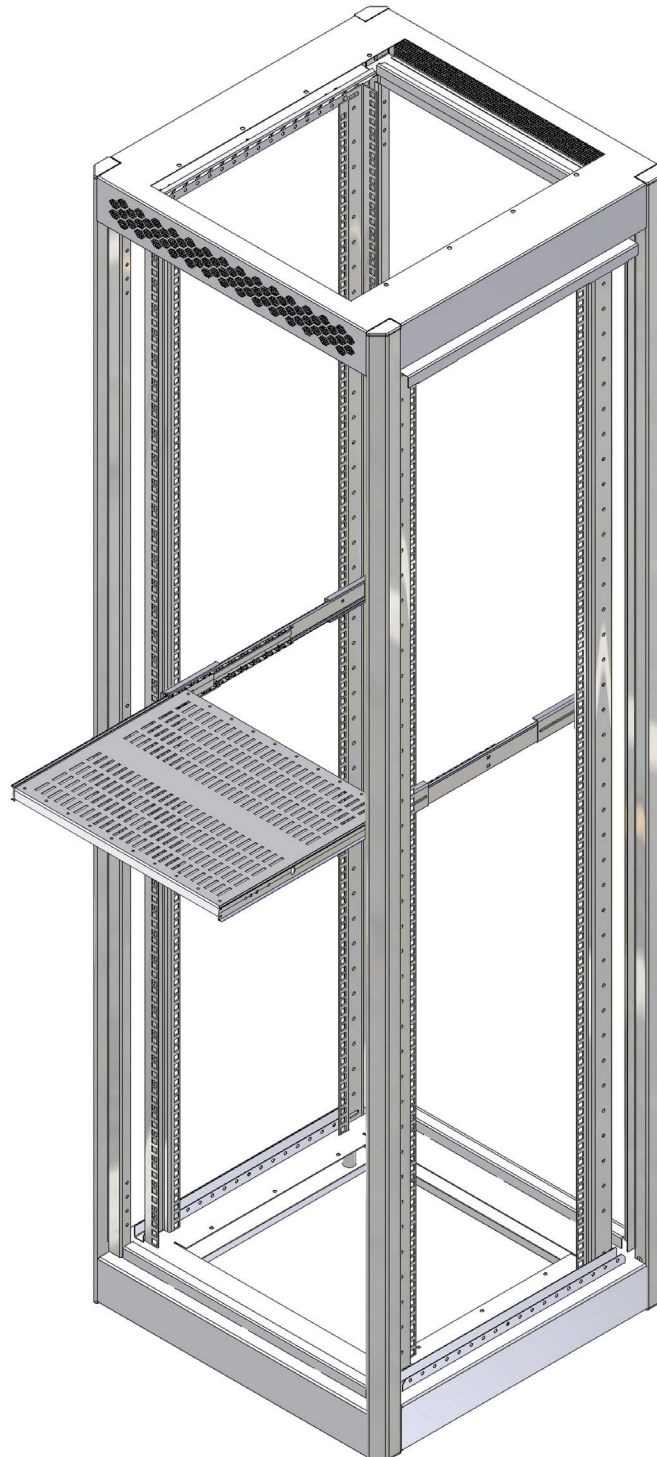
**SLIDING SHELF ■**

**UDTRÆKS HYLDE ■**

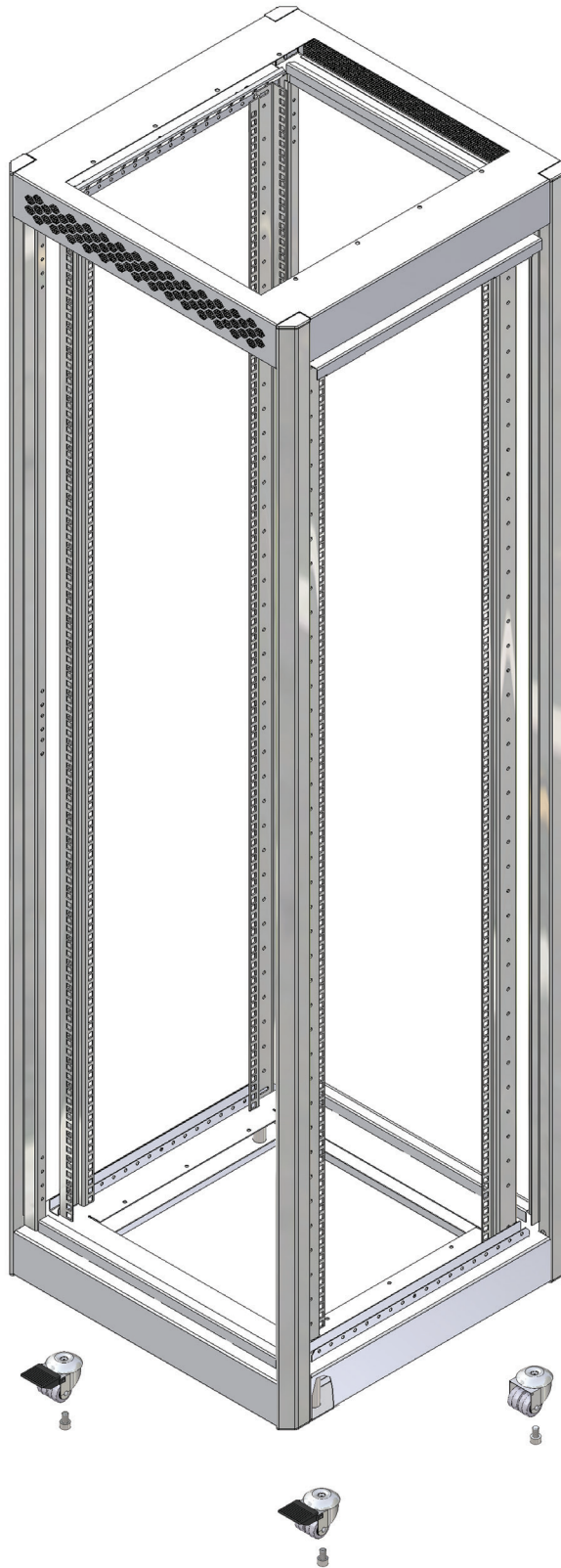
TYPE	DESCRIPTION	ACTUAL SIZE (W×H)	PANEL DEPTH	MAXIMUM LOAD	WITH LATCH LOCK EXTENSION	WEIGHT (kg)	ORDER NO
SSHL 6.4	SLIDING SHELF	416 × 400	600	45	75 %	3.0	40950
SSHL 6.5	SLIDING SHELF	416 × 500	600	45	75 %	4.2	40953
SSHL 6.6	SLIDING SHELF	416 × 600	800	45	75 %	5.7	40956

TYPE	DESCRIPTION	ACTUAL SIZE (W×H)	PANEL DEPTH	MAXIMUM LOAD	WITHOUT LATCH LOCK EXTENSION	WEIGHT (kg)	ORDER NO
SSHL 6.4	SLIDING SHELF	416 × 400	600	45	100 %	3.0	40960
SSHL 6.5	SLIDING SHELF	416 × 500	600	45	100 %	4.2	40963
SSHL 6.6	SLIDING SHELF	416 × 600	800	45	100 %	5.7	40966





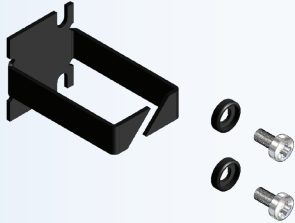
<b>CASTORS ■</b>				
<b>TRANSPORT HJUL ■</b>				
				
TYPE	DESCRIPTION	MAXIMUM LOAD	WEIGHT (kg)	ORDER NO
CAS	CASTORS	200 kg	1.2	41775





**19" CABLE HOLDER ■**  
**19" KABELHOLDER HORIZONTAL ■**

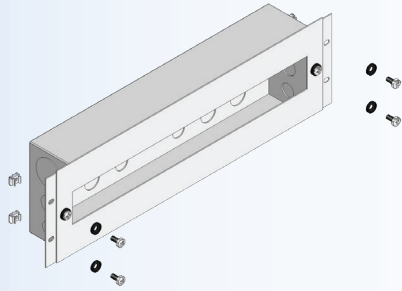
TYPE	DESCRIPTION	WEIGHT (kg)	ORDER NO
CHL	19" CABLE HOLDER	0.45	42500



**19" CABLE HOLDER BRACKET ■**  
**19" KABEL HOLDER VERTIKAL ■**

TYPE	DESCRIPTION	WEIGHT (kg)	ORDER NO
CHB	19" CABLE HOLDER BRACKET	0.45	42520

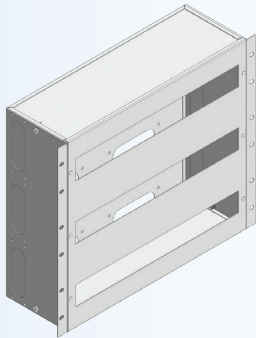




**19" DIN BOX ■**

**19" DIN BOX ■**

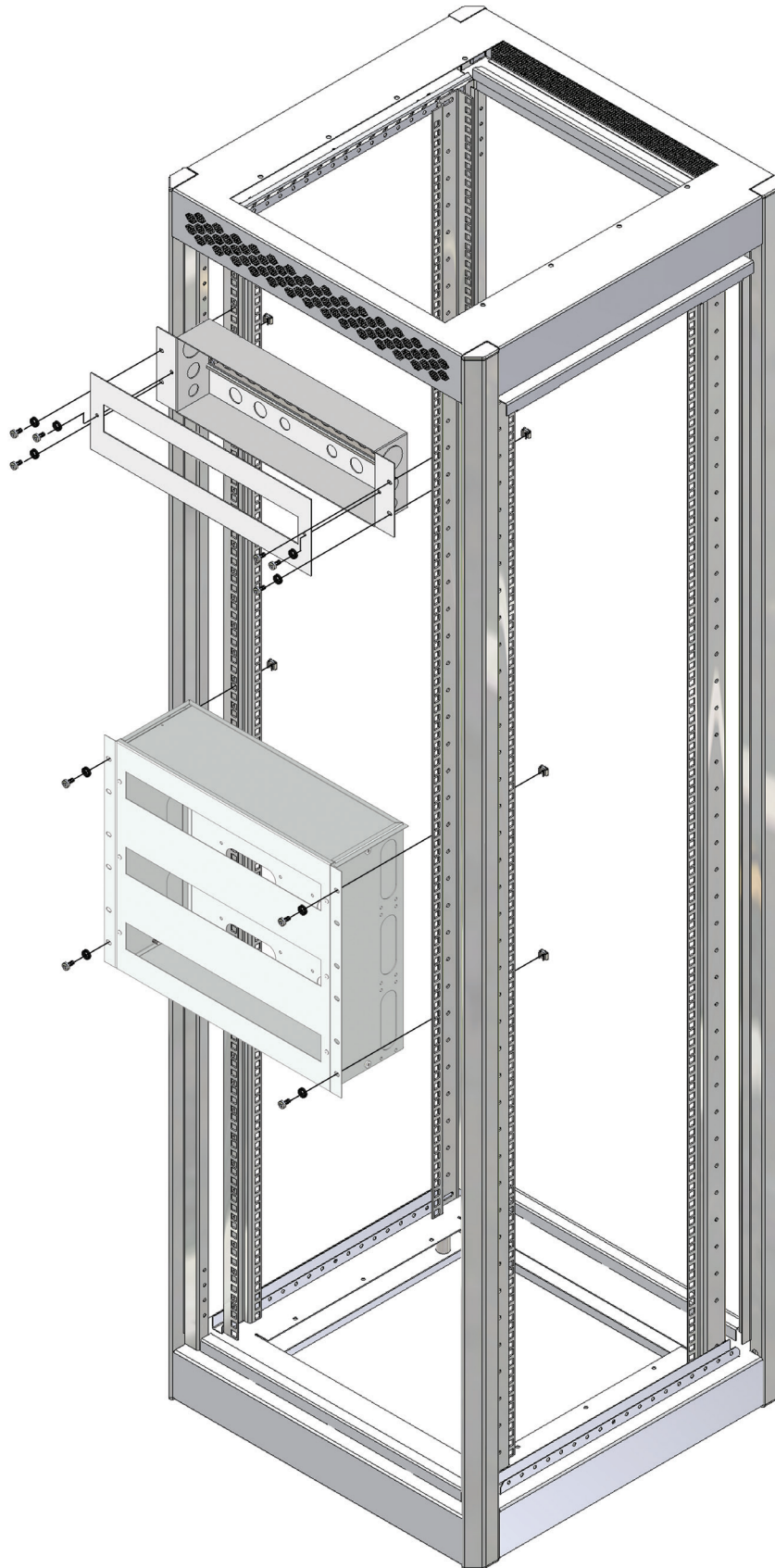
TYPE	DESCRIPTION	U/HE	UNITS	SIZE (WxH)	WEIGHT (kg)	ORDER NO
DIB	19" DIN BOX	3U	22	600 × 132	2.0	42456



**19" DIN BOX ■**  
**WITH EASY GLAND**

**19" DIN BOX ■**  
**MED EASY GLAND**

TYPE	DESCRIPTION	U/HE	UNITS	SIZE (WxH)	WEIGHT (kg)	ORDER NO
DIBEG 3	19" DIN BOX WITH EASY GLAND	3U	22	600 × 132	3.4	42460
DIBEG 9	19" DIN BOX WITH EASY GLAND	9U	66	600 × 397	7.3	42461



## EUROPE

**Cebco - Czech Republic**  
Tel: +420 604 645 648  
Mail: info@cebco.cz  
Mail: cebco@seznam.cz

**Culic Elektro Centar - Croatia**  
Tel: +38 5 2120 4333  
Mail: veleprodaja@culic.net

**EFA Elektro - Norway**  
Tel: +47 6681 2400  
Mail: post@efa.no

**Elektra-Bree-Bordenbouw - Belgium**  
Tel: +32 8941 0041  
Mail: kg@ebbnv.be

**ELSTEEL IRL - Republic of Ireland**  
Tel: +353 1 456 8566  
Mail: debbie@elsteel.ie

**ELSTEEL NI - Northern Ireland**  
Tel: +44 289 077 4041  
Mail: ghavlin@parkelect.co.uk

**ELSTEEL - Poland**  
Tel: +48 77 465 4666  
Mail: poland@elsteel.com

**ELSTEEL UK - United Kingdom**  
Tel: +44 197 885 5909  
Mail: sales@elsteel.co.uk

**Montakon - Netherlands**  
Tel: +31 73 599 6000  
Mail: info@montakon.nl

**N. N. Control Panels - Cyprus**  
Tel: +357 25 71 4816  
Mail: info@nncontrolpanels.com

**Rafmidlun - Iceland**  
Tel: +354 540 3500  
Mail: kolbeinn@rafmidlun.is

## EUROPE Contd.

**RS Components - England**  
Tel: +44 1536 20 1234  
Web: www.rswww.com

**UAB Electric Box - Lithuania**  
Tel: +370 68 697 304  
Mail: saulius@electricbox.lt

## CANADA

**Westshore Controls - Canada**  
Tel: +1 604 817 0987  
Mail: westshorecontrols@gmail.com

## AUSTRALIA

**IPD - Australia & New Zealand**  
Tel: +61 2 9645 0777  
Mail: brian.rodricks@ipdgroup.com.au

## MIDDLE EAST

**Base Control Tech - UAE**  
Tel: +971 6 557 9958  
Mail: vijayababu@basecontroltech.com

**Jaidah Electrical - Qatar**  
Tel: ++974 4463 8777  
Mail: sadek@jaidah.com.qa

**National Electrical Industries - Oman**  
Tel: +968 2 445 4951  
Mail: tusharchavan@neioman.com

**PAC International - Qatar**  
Tel: +974 4450 6084  
Mail: mazen.harab@harbelectric.com

**Pacific Ocean - Sharjah**  
Tel: +971 653 45334  
Mail: henry@pacificocean.ae

**Power & Control - Dubai**  
Tel: +971 4 883 0391  
Mail: khalil@pnc-ae.com

**Schneider Electrical - Israel**  
Tel: +972 4 609 4433  
Mail: sagi@sche.co.il

## ASIA

**ELSTEEL - Sri Lanka**  
Tel: +94 11 225 2485  
Mail: elsteel@elsteel.com

**ELSTEEL - India**  
Tel: +91 832 661 1111  
Mail: india@elsteel.com

**ELSTEEL Techno - Singapore & Malaysia**  
Tel: +65 645 546 98  
Mail: elsteel@singnet.com.sg

**Fudo Automation - Hydrabad, India**  
Tel: +91 40 2004 0814  
Mail: fudo@rediffmail.com

**Prakticheskaya Electrotehnica - Kazakhstan**  
Tel: +7 727 3783 294  
Mail: pealmaty@mail.ru

**Venora Lanka Power Panels - Sri Lanka**  
Tel: +94 11 248 9580  
Mail: venoralanka@venoragroup.com

## AFRICA

**ATI Systems - South Africa**  
Tel: +27 11 383 8300  
Mail: sales@atisystems.co.za

**M & E Commercial Engineers - Mauritius**  
Tel: +230 677 9838  
Mail: mec.eng@intnet.mu

**Specialised Power Systems - Kenya**  
Tel: +254 20 207 7219  
Mail: info@spsafrica.com

## CIS

**JSC Electronmash - Russia**  
Tel: +781 2 702 1262, Int 8000  
Mail: sales@ru.elsteel.com